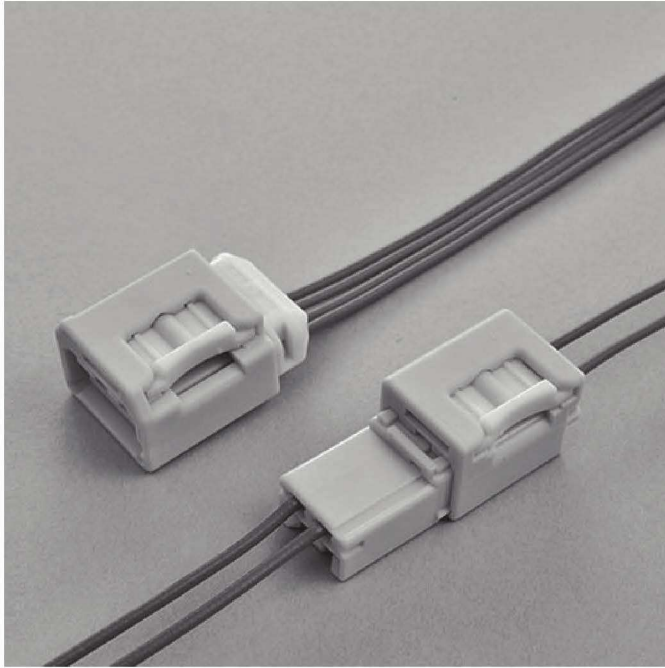


# BAB CONNECTOR

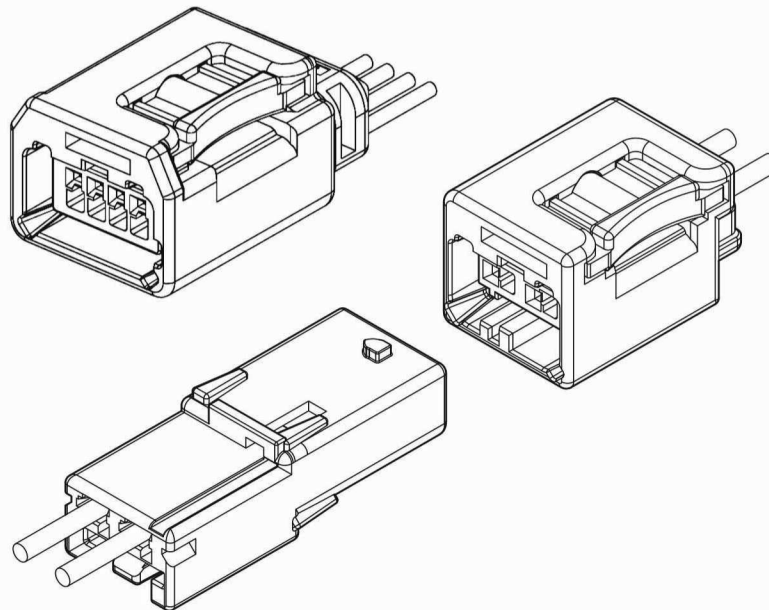
Wire-to-wire, Wire-to-unit



## Features

- **Go / No-Go Mating System**  
Compression spring prevents half-mating.
- **Anti Vibration Mechanism**  
High reliability rigid connector enables to keep higher durability at shock and vibration environment.
- **Compact size**

0.64 mm wire-to-wire and wire-to-unit connector with rigid design and spring lock mechanism. Spring force prevents half-mating during mating and keeps constant rigid connection between male and female connectors.

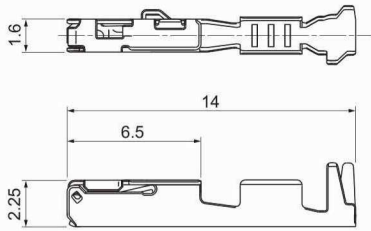


## Specifications

- Current rating: 3 A AC, DC max. (0.3 mm<sup>2</sup>)  
5 A AC, DC max. (0.5 mm<sup>2</sup>)
- Withstanding voltage: 1,000 VAC/minute
- Temperature range: -40°C to +80°C  
(including temperature rise in applying electrical current)
- Contact resistance: Initial value/ 10 mΩ max.  
After environmental tests/ 20 mΩ max.
- Insulation resistance: 100 MΩ min.
- Applicable wire: AVSS  
0.3 mm<sup>2</sup> to 0.5 mm<sup>2</sup>

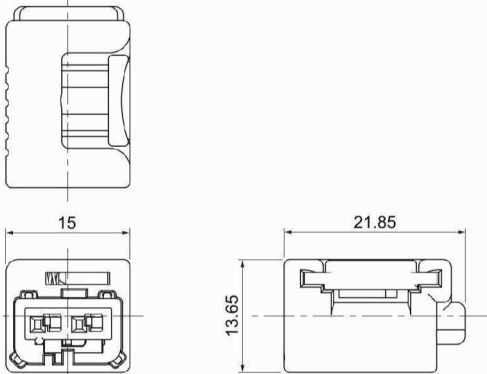
\* Compliant with ELV/RoHS2.  
\* Contact JST for details.

## Female terminal

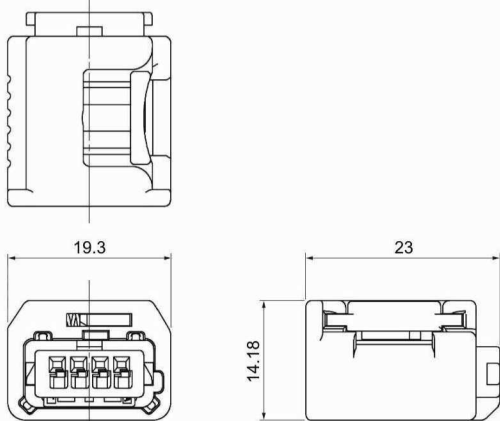


## Female connector

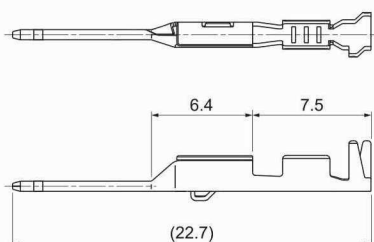
### ● 2 circuits



### ● 4 circuits



## Male terminal



Model No.	Applicable wire range		Q'ty/reel
	Conductor (mm <sup>2</sup> )	Insulation O.D. (mm)	
①SAIT-A03T-M064	0.3 to 0.5	≤1.9	6,500
②SAIT-A03GF-M064	0.3 to 0.5	≤1.9	6,500

### Material and Finish

- ①Copper alloy, tin-plated (reflow treatment)
- ②Copper alloy, nickel-undercoated, Contact area; gold-plated Barrel area; tin-plated

Circuits	Model No.	Q'ty/box
2	<b>BABRB-02-1A-Y( )</b>	300
4	<b>BABRB-04-1A-Y</b>	300

### Material and Finish

- Housing: Glass-filled PA, Yellow
- Retainer: Glass-filled PBT, Natural
- Slider: Glass-filled PBT, Natural
- Spring: SUS

Note: Key codes other than above-mentioned housing are also available. Contact JST for details.

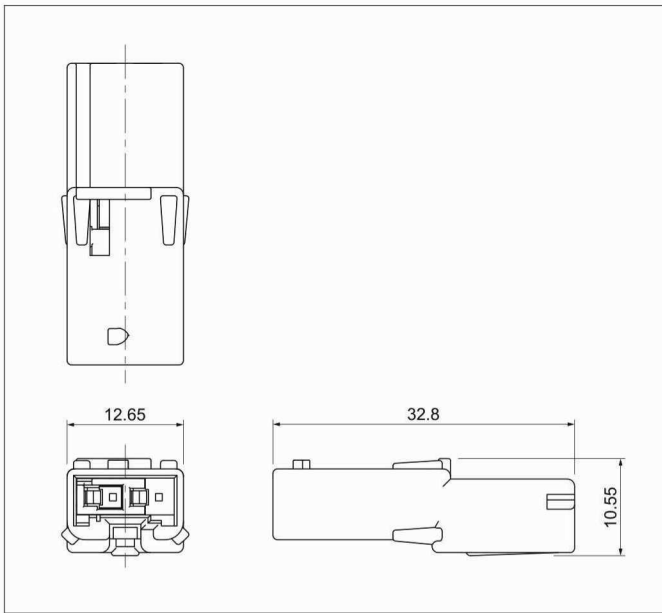
Model No.	Applicable wire range		Q'ty/reel
	Conductor (mm <sup>2</sup> )	Insulation O.D. (mm)	
①SAITW-A03T-064	0.3 to 0.5	≤1.9	9,000
②SAITW-A03GF-064	0.3 to 0.5	≤1.9	9,000

### Material and Finish

- ①Brass, tin-plated (reflow treatment)
- ②Brass, nickel-undercoated, Contact area; gold-plated Barrel area; tin-plated

# BAB CONNECTOR

## Male connector



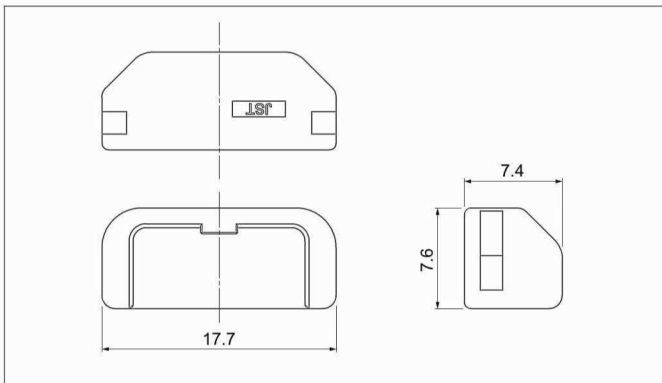
Circuits	Model No.	Q'ty/box
2	<b>BABPB-02-1A-Y( )</b>	300

### Material and Finish

Housing: PA, Yellow  
Retainer: PBT, Natural

Note: Key codes other than above-mentioned housing are also available.  
Contact JST for details.

## Wire cover



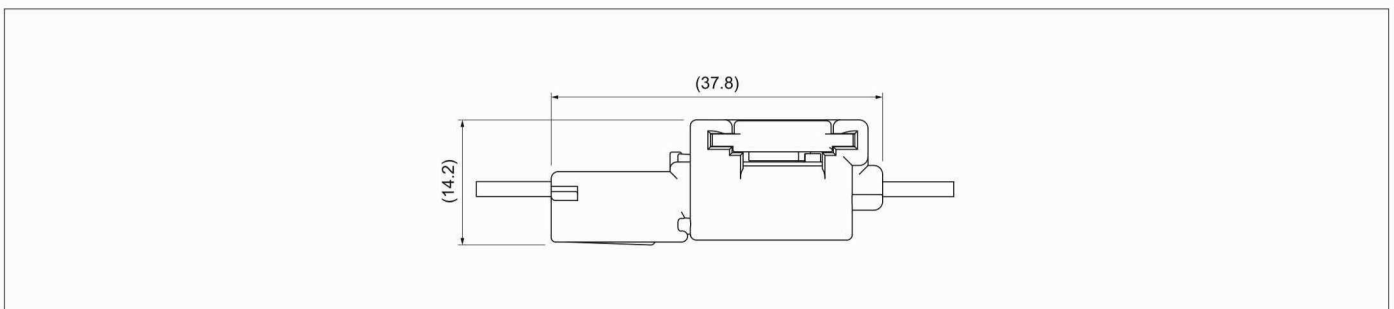
Model No.	Q'ty/box
Note) <b>BABWC-04-1A-S</b>	1,000

### Material and Finish

Glass-filled PBT, Natural

Note: Cover is applicable only for 4 circuits.  
Cover is an optional part.

## Assembly layout



## Crimping machine, Applicator

Strip terminal	Crimping machine	Crimp applicator MKS-L	
		Dies	Crimp applicator with dies
<b>SAIT-A03( )-M064</b>	AP-K2N	MK/SAIT-A03-064	APLMK SAIT-A03-064
<b>SAITW-A03( )-064</b>		MK/SAITW-A03-064	APLMK SAITW-A03-064

Note: 1. When crimping operation is conducted using an applicator and die set other than the above,  
JST cannot guarantee the performance of the terminal.  
2. Contact JST for details.