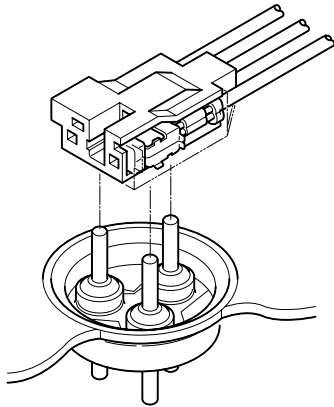


CLUSTER SOCKET

Three-pole socket for connecting cluster pins



This three circuit connector is used to connect cluster pins (2.3 mm in diameter) to the leads of a motor hermetically sealed in a compressor of a refrigerator or a freezer.

The contacts and housing are especially designed and made of high-quality materials for high heat resistance and superior durability.

Standards

Recognized E60389

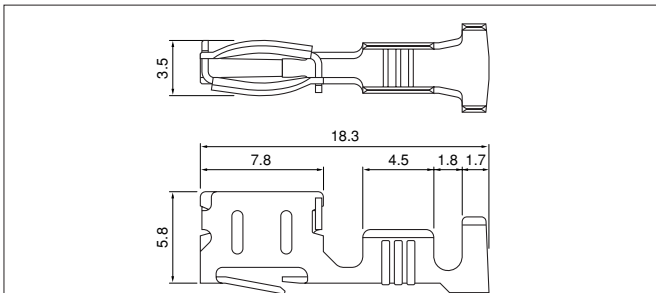
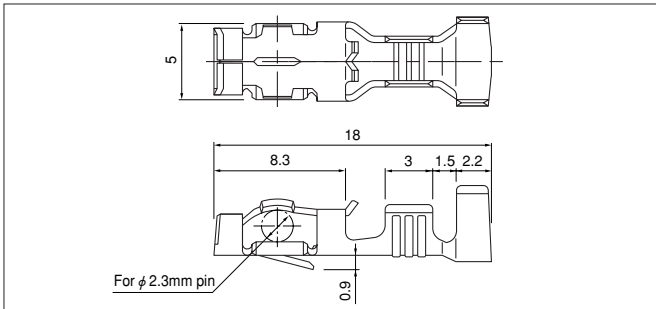
Certified LR20812

* Refer to "General Instruction and Notice when using Terminals and Connectors" at the end of this catalog.

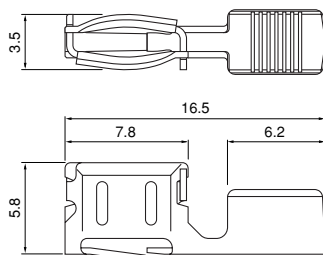
* Contact JST for details.

* Compliant with RoHS.

Contact



One wire crimping



Model No.	Applicable wire		Insulation O.D. (mm)	Q'ty/reel
	mm ²	AWG #		
SCS-41T-2.3	0.5~1.25	20~16	1.9~3.4	5,000

Material and Finish

Phosphor bronze, tin-plated (reflow treatment)

RoHS compliance

Model No.	Applicable wire		Insulation O.D. (mm)	Q'ty/reel
	mm ²	AWG #		
SCSN-41T-P2.3	0.5~1.25	20~16	1.9~3.2	3,000
SCSN-60T-P2.3	0.7 mm + 0.7 mm ~ 1.05 mm + 1.05 mm			3,000

Material and Finish

Phosphor bronze, tin-plated

RoHS compliance

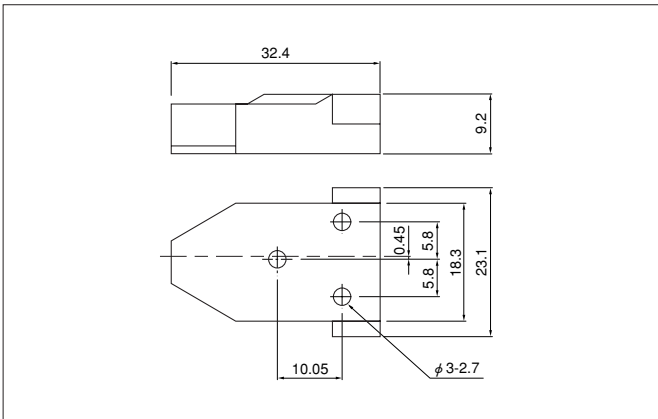
Note: 1. SCSN-60T-P2.3 is for the use of one wire crimping. Contact JST for details of regarding applicable wires.

2. Before use, the performance of this socket must be tested with the wire that is to be used.

Contact	Crimping machine	Applicator		
		Crimp applicator	Dies	Crimp applicator with dies
SCS-41T-2.3	AP-K2N	MK-L	MK/SCS-41-23	APLMK SCS41-23
		—	—	—
SCSN-41T-P2.3		MKS-L	MK/SCSN-41-23	APLMK SCSN41-23
		—	—	—
SCSN-60T-P2.3	MKS-L	MK/SCSN-60-23	APLMK SCSN60-23	
	—	—	—	

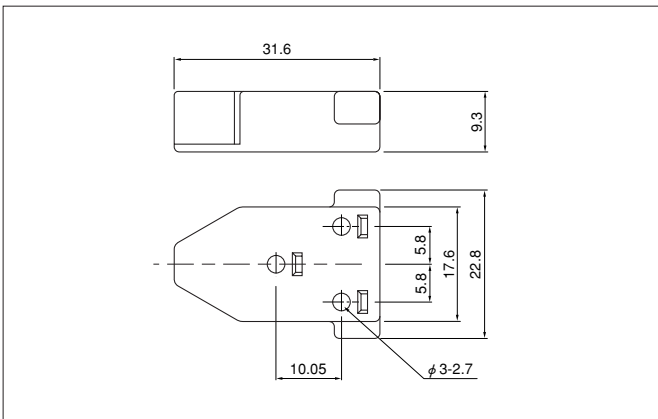
CLUSTER SOCKET

Housing



Model No.	Material and Finish	Qty/bag	Applicable contact
3P-SCS	Phenol, UL94V-1, black	500	SCS-41T-2.3

RoHS compliance



Model No.	Material and Finish	Qty/bag	Applicable contact
3P-CSN PBT	PBT, UL94HB, natural (white)	500	SCSN-41T-P2.3

RoHS compliance