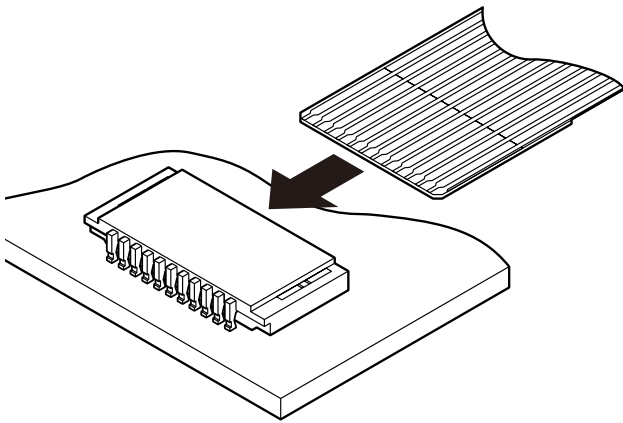


# FHJ CONNECTOR

0.5mm pitch/Connectors for FPC



**Non-ZIF type low profile of 1.2mm mounting height. 0.3mm thick standard type FPC is applicable.**

- Compact mounting space
- Heat resisting design suitable for surface mounting

## Specifications

- Current rating: 0.5A AC, DC
- Voltage rating: 50V AC, DC
- Temperature range: -25°C to +85°C  
(including temperature rise in applying electrical current)
- Contact resistance: Initial value/40m Ω max.  
After environmental testing/20m Ω max.  
(variation from initial value)
- Insulation resistance: 500M Ω min.
- Withstanding voltage: 200V AC/minute
- Applicable FPC: Conductor pitch/0.5mm  
Conductor width/0.35mm  
Mating part thickness/0.3±0.05mm

*Note: FPC to be actually used should be checked for applicability.*

\* In using the products, refer to "Handling Precaution for Terminal and Connector" described on our website (Technical documents of Product information page).

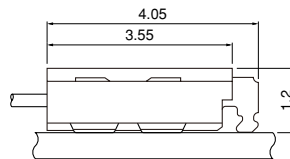
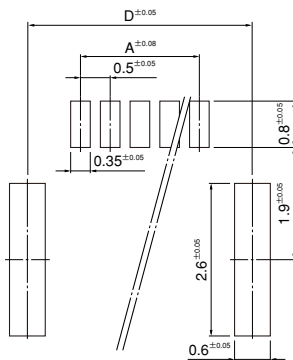
\* Contact JST for details.

\* RoHS2 compliance.

## Standards

Recognized E60389

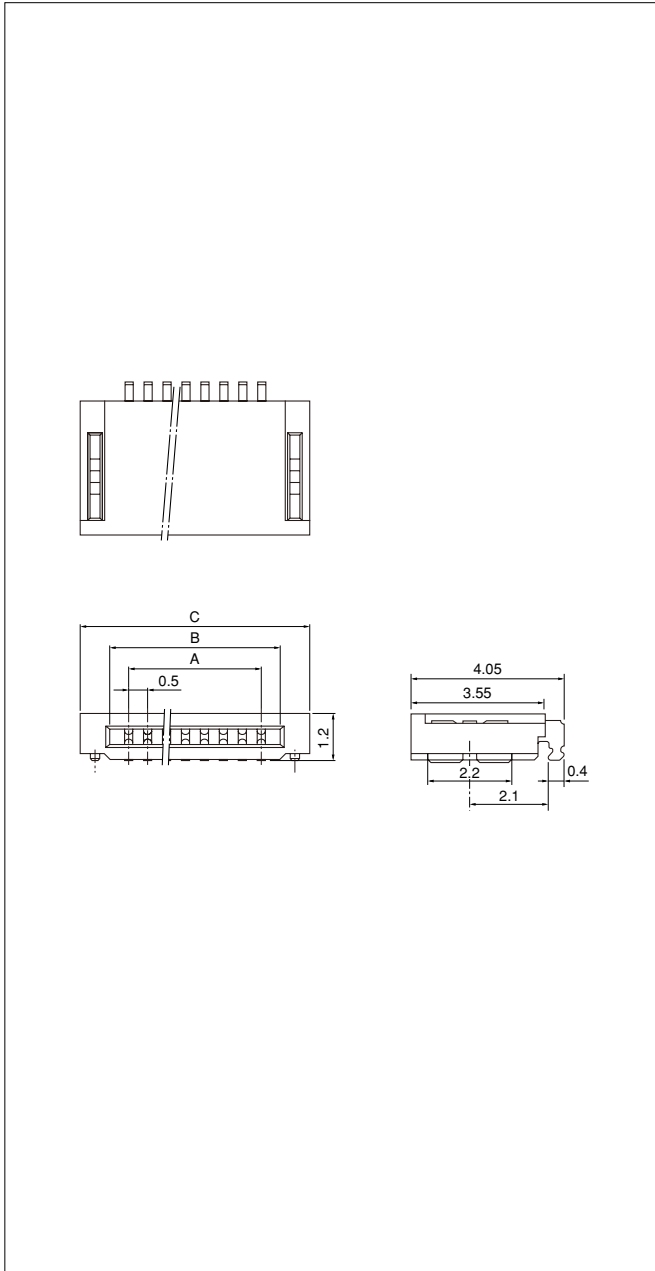
### PC board layout (viewed from component side) and Assembly layout



Note: 1. Tolerances are non-cumulative: ±0.08mm for all centers.  
2. The dimensions above should serve as a guide line. Contact JST for details.

# FHJ CONNECTOR

## Connector



### Gold-plated product

Circuits	Model No.	Dimensions (mm)				Q'ty / reel
		A	B	C	D	
4	04FHJ-SM1-GAN-TB	1.5	2.5	4.1	3.3	4,000
5	05FHJ-SM1-GAN-TB	2.0	3.0	4.6	3.8	4,000
6	06FHJ-SM1-GAN-TB	2.5	3.5	5.1	4.3	4,000
7	07FHJ-SM1-GAN-TB	3.0	4.0	5.6	4.8	4,000
8	08FHJ-SM1-GAN-TB	3.5	4.5	6.1	5.3	4,000
9	09FHJ-SM1-GAN-TB	4.0	5.0	6.6	5.8	4,000
10	10FHJ-SM1-GAN-TB	4.5	5.5	7.1	6.3	4,000
11	11FHJ-SM1-GAN-TB	5.0	6.0	7.6	6.8	4,000
12	12FHJ-SM1-GAN-TB	5.5	6.5	8.1	7.3	4,000
13	13FHJ-SM1-GAN-TB	6.0	7.0	8.6	7.8	4,000
14	14FHJ-SM1-GAN-TB	6.5	7.5	9.1	8.3	4,000
16	16FHJ-SM1-GAN-TB	7.5	8.5	10.1	9.3	4,000
18	18FHJ-SM1-GAN-TB	8.5	9.5	11.1	10.3	4,000
20	20FHJ-SM1-GAN-TB	9.5	10.5	12.1	11.3	4,000
21	21FHJ-SM1-GAN-TB	10.0	11.0	12.6	11.8	4,000
24	24FHJ-SM1-GAN-TB	11.5	12.5	14.1	13.3	4,000

### Material and Finish

Contact: Copper alloy, nickel-undercoated, gold-plated (nickel-stripe)  
Housing: Heat resisting resin, UL94V-0, natural  
Reinforcement: Copper alloy, copper-undercoated, tin-plated (reflow treatment)

**RoHS2 compliance** This product displays (LF)(SN) on a label.

### Tin-plated product

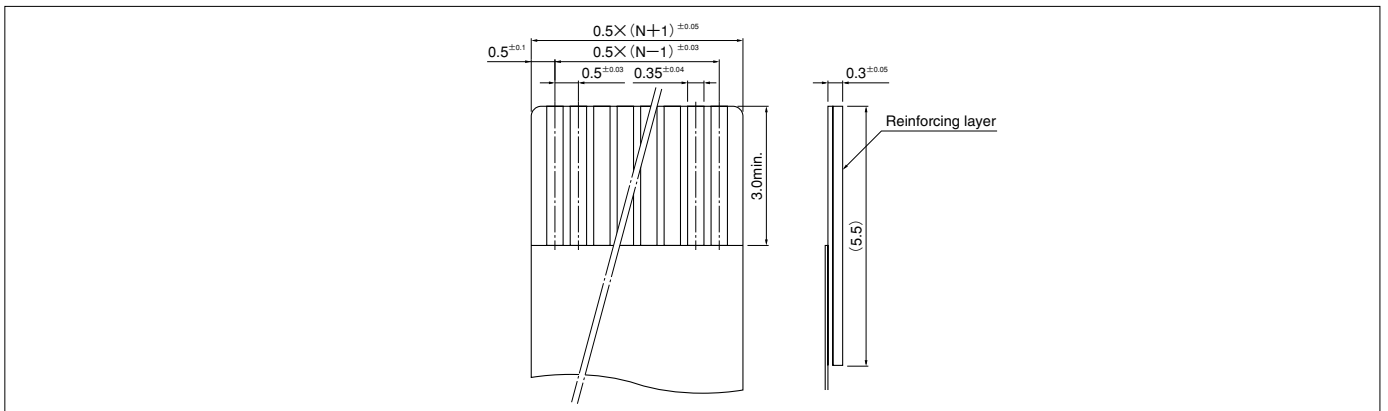
Circuits	Model No.	Dimensions (mm)				Q'ty / reel
		A	B	C	D	
4	04FHJ-SM1-TB	1.5	2.5	4.1	3.3	4,000
5	05FHJ-SM1-TB	2.0	3.0	4.6	3.8	4,000
6	06FHJ-SM1-TB	2.5	3.5	5.1	4.3	4,000
7	07FHJ-SM1-TB	3.0	4.0	5.6	4.8	4,000
8	08FHJ-SM1-TB	3.5	4.5	6.1	5.3	4,000
9	09FHJ-SM1-TB	4.0	5.0	6.6	5.8	4,000
10	10FHJ-SM1-TB	4.5	5.5	7.1	6.3	4,000
11	11FHJ-SM1-TB	5.0	6.0	7.6	6.8	4,000
12	12FHJ-SM1-TB	5.5	6.5	8.1	7.3	4,000
13	13FHJ-SM1-TB	6.0	7.0	8.6	7.8	4,000
14	14FHJ-SM1-TB	6.5	7.5	9.1	8.3	4,000
16	16FHJ-SM1-TB	7.5	8.5	10.1	9.3	4,000
18	18FHJ-SM1-TB	8.5	9.5	11.1	10.3	4,000
20	20FHJ-SM1-TB	9.5	10.5	12.1	11.3	4,000
21	21FHJ-SM1-TB	10.0	11.0	12.6	11.8	4,000
24	24FHJ-SM1-TB	11.5	12.5	14.1	13.3	4,000

### Material and Finish

Contact: Copper alloy, copper-undercoated, tin-plated (reflow treatment)  
Housing: LCP, UL94V-0  
Solder tab: Copper alloy, copper-undercoated, tin-plated (reflow treatment)

**RoHS2 compliance** This product displays (LF)(SN) on a label.

## Lead section dimensions of FPC



Note: N --- Number of circuits