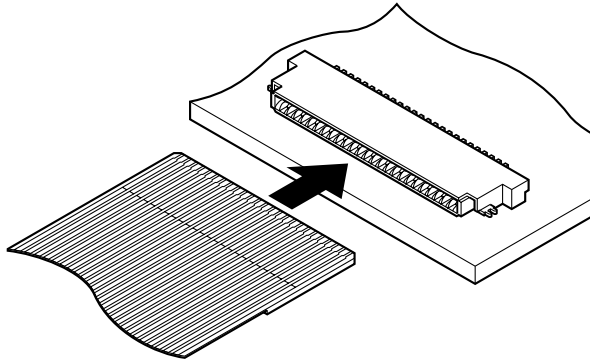


FH CONNECTOR

0.5mm pitch/Connectors for FPC



The large miniaturization at pitch direction and depth direction and low profile as 1.2mm mounting height are realized. FH connector is miniaturized and space saving Non-ZIF type connector for FPC.

- Double-sided contact
- Applicable to standard FPC

Specifications

- Current rating: 0.5A AC, DC
- Voltage rating: 50V AC, DC
- Temperature range: -25°C to +85°C
(including temperature rise in applying electrical current)
- Contact resistance: Initial value/40m Ω max.
After environmental testing/20m Ω max.
(variation from initial value)
- Insulation resistance: 500M Ω min.
- Withstanding voltage: 200V AC/minute
- Applicable FPC: Conductor pitch/0.5mm
Conductor width/0.35mm
Mating part thickness/0.3±0.05mm

* In using the products, refer to "Handling Precaution for Terminal and Connector" described on our website (Technical documents of Product information page).

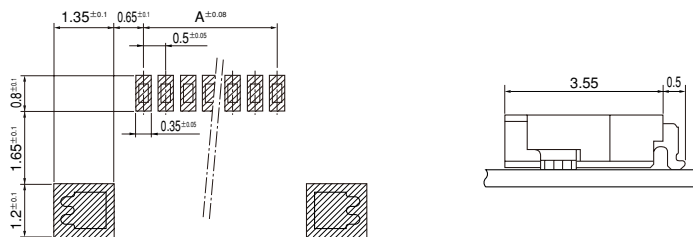
* Contact JST for details.

* RoHS2 compliance.

Standards

Recognized E60389

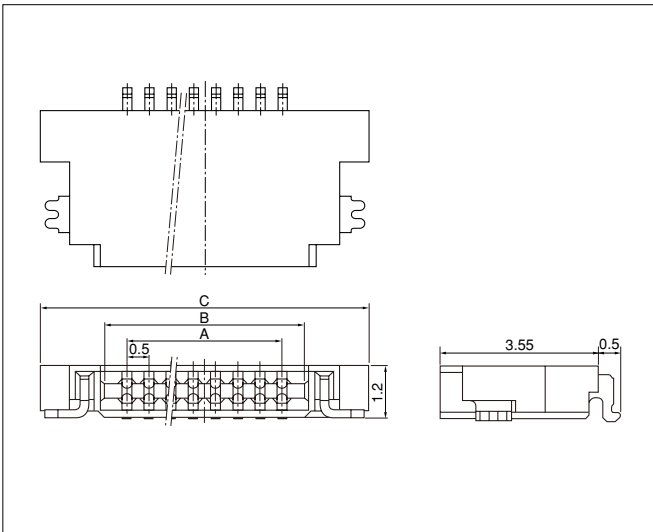
PC board layout (viewed from component side) and Assembly layout



Note: 1. Tolerances are non-cumulative: ±0.08mm for all centers.
2. The dimensions above should serve as a guideline. Contact JST for details.

FH CONNECTOR

Connector



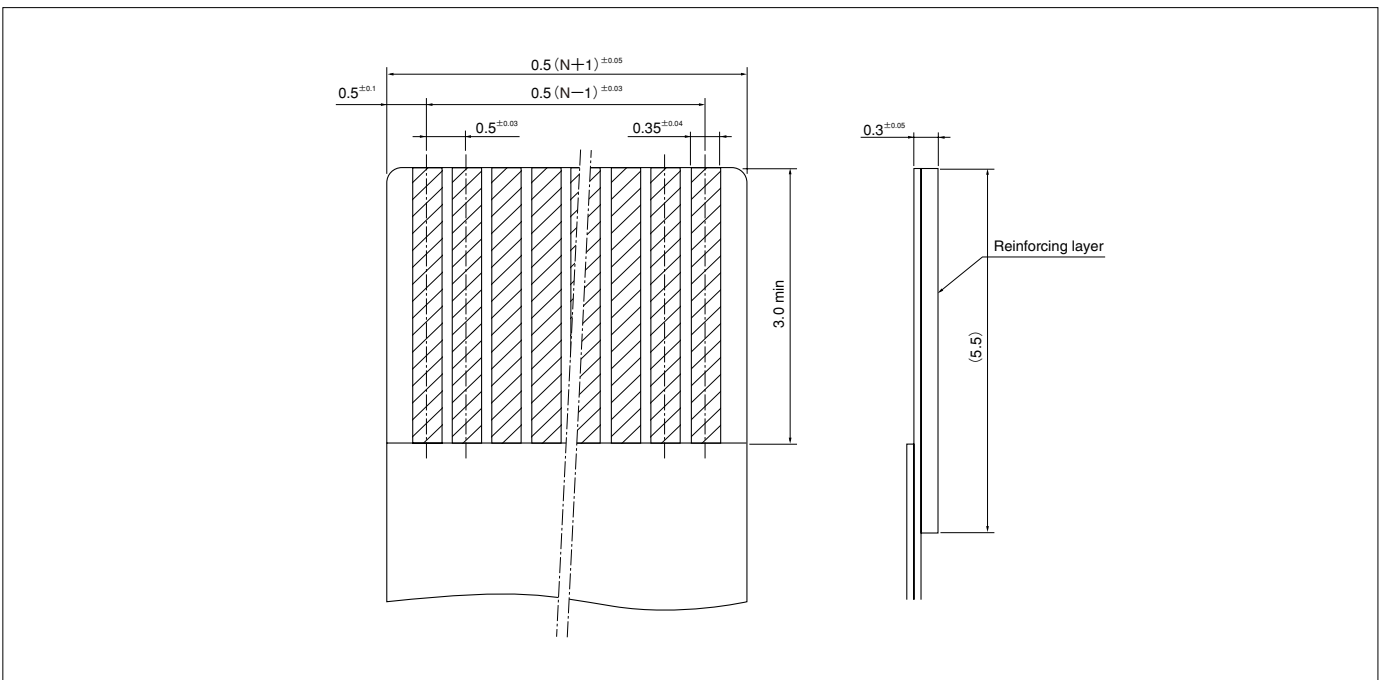
| Circuits | Model No. | Dimensions (mm) | | | Q'ty / reel |
|----------|--------------------|-----------------|------|------|-------------|
| | | A | B | C | |
| 5 | 05FH-SM1-TB | 2.0 | 3.0 | 5.9 | 4,000 |
| 6 | 06FH-SM1-TB | 2.5 | 3.5 | 6.4 | 4,000 |
| 7 | 07FH-SM1-TB | 3.0 | 4.0 | 6.9 | 4,000 |
| 8 | 08FH-SM1-TB | 3.5 | 4.5 | 7.4 | 4,000 |
| 10 | 10FH-SM1-TB | 4.5 | 5.5 | 8.4 | 4,000 |
| 11 | 11FH-SM1-TB | 5.0 | 6.0 | 8.9 | 4,000 |
| 12 | 12FH-SM1-TB | 5.5 | 6.5 | 9.4 | 4,000 |
| 14 | 14FH-SM1-TB | 6.5 | 7.5 | 10.4 | 4,000 |
| 16 | 16FH-SM1-TB | 7.5 | 8.5 | 11.4 | 4,000 |
| 18 | 18FH-SM1-TB | 8.5 | 9.5 | 12.4 | 4,000 |
| 20 | 20FH-SM1-TB | 9.5 | 10.5 | 13.4 | 4,000 |
| 25 | 25FH-SM1-TB | 12.0 | 13.0 | 15.9 | 4,000 |

Material and Finish

Contact: Copper alloy, copper-undercoated, tin-plated (reflow treatment)
Housing: LCP, UL94V-0
Solder tab: Copper alloy, copper-undercoated, tin-plated (reflow treatment)

RoHS2 compliance This product displays (LF)(SN) on a label.

Lead section dimensions of FPC



Note: N --- Number of circuits