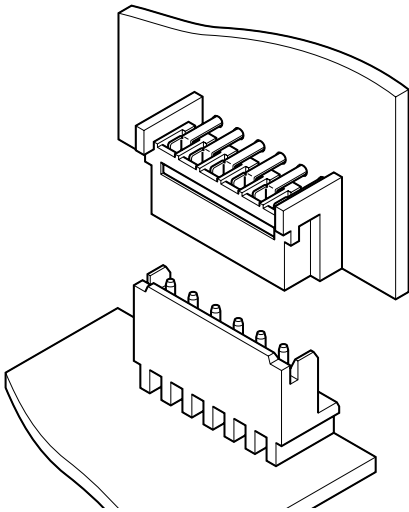


MQ CONNECTOR

2.0mm pitch/Board-to-board connectors



Measuring 2.0mm in pitch, 9.2mm in mounting height and 5.5mm in thickness, this board-to-board connector makes high-density mounting of components in electronic products possible. It is ideal for small electronic products, such as portable VCRs and video cameras, which require high-density mounting and high reliability.

- Back-up support spring construction
- Easy insertion
- Board retention feature

Specifications

- Current rating: 1.0A AC, DC
- Voltage rating: 250V AC, DC
- Temperature range: -25°C to +85°C
(including temperature rise in applying electrical current)
- Contact resistance: Initial value/ 10m Ω max.
After environmental testing/ 20m Ω max.
- Insulation resistance: 1,000M Ω min.
- Withstanding voltage: 800V AC/minute
- Applicable PC board thickness: 1.2 to 1.6mm

* In using the products, refer to "Handling Precaution for Terminal and Connector" described on our website (Technical documents of Product information page).

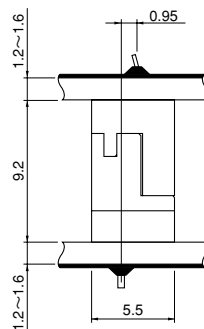
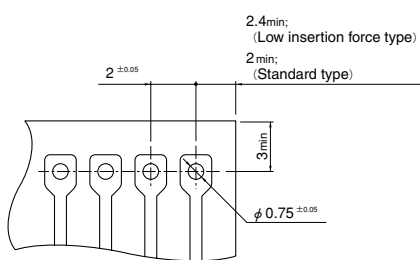
* Contact JST for details.

* RoHS2 compliance.

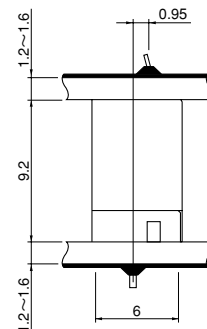
Standards

Recognized E60389

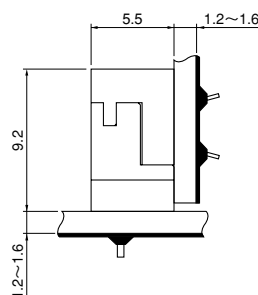
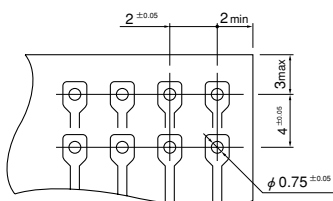
Top entry type



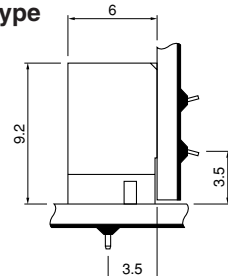
Low insertion force type Top entry type



Side entry type



Low insertion force type Side entry type



Note: 1. The above figure is the figure viewed from soldering side.

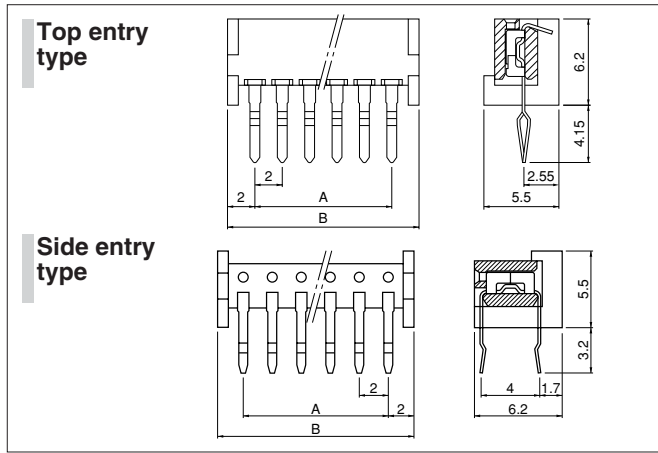
2. The PC board layout of the header is identical to that of the top entry receptacle.

3. Tolerances are non-cumulative: ±0.05mm for all centers.

4. Hole dimensions differ according to the kind of PC board and piercing method. The dimensions above should serve as a guideline. Contact JST for details.

MQ CONNECTOR

Receptacle



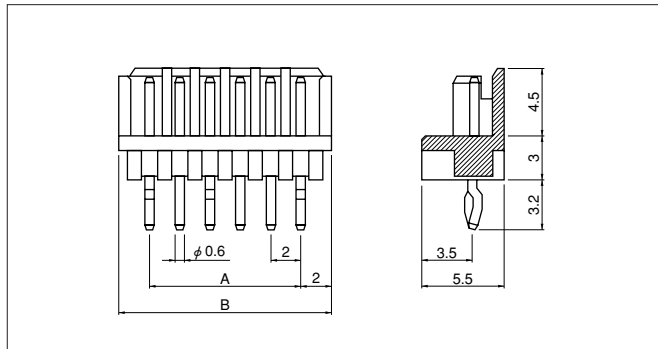
Circuits	Model No.		Dimensions (mm)		Qty / box	
	Top entry type	Side entry type	A	B	Top entry type	Side entry type
5	05MQ-BT	05MQ-ST	8.0	12.0	500	500
6	06MQ-BT	06MQ-ST	10.0	14.0	500	500
7	07MQ-BT	07MQ-ST	12.0	16.0	500	500
8	08MQ-BT	08MQ-ST	14.0	18.0	500	250
9	09MQ-BT	09MQ-ST	16.0	20.0	500	250
10	10MQ-BT	10MQ-ST	18.0	22.0	250	250
12	12MQ-BT	12MQ-ST	22.0	26.0	250	250

Material and Finish

Contact: Phosphor bronze, tin-plated (reflow treatment)
Housing: PA 66, UL94V-0, natural

RoHS2 compliance

Shrouded header



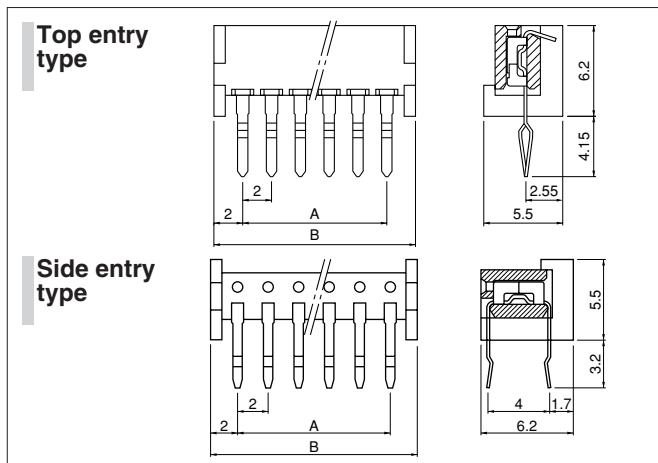
Circuits	Model No.	Dimensions (mm)		Qty / box
		A	B	
5	B5P-MQ	8.0	12.0	500
6	B6P-MQ	10.0	14.0	500
7	B7P-MQ	12.0	16.0	500
8	B8P-MQ	14.0	18.0	500
9	B9P-MQ	16.0	20.0	500
10	B10P-MQ	18.0	22.0	250
12	B12P-MQ	22.0	26.0	200

Material and Finish

Pin: Brass, copper-undercoated, tin-plated (reflow treatment)
Wafer: PA 66, UL94V-0, natural

RoHS2 compliance This product displays (LF)(SN) on a label.

Low insertion force type Receptacle



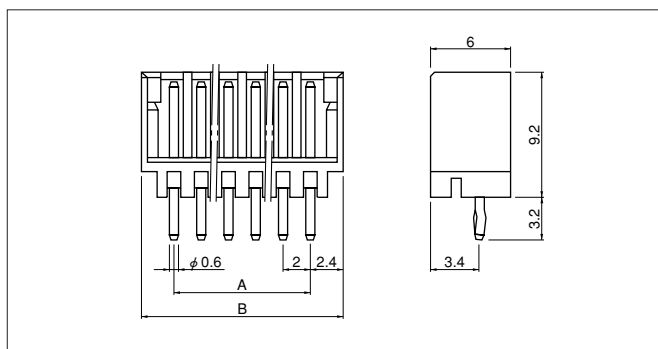
Circuits	Model No.		Dimensions (mm)		Qty / box	
	Top entry type	Side entry type	A	B	Top entry type	Side entry type
4	04MQ-BT-L	04MQ-ST-L	6.0	10.0	500	500
5	05MQ-BT-L	05MQ-ST-L	8.0	12.0	500	500
6	06MQ-BT-L	06MQ-ST-L	10.0	14.0	500	500
7	07MQ-BT-L	07MQ-ST-L	12.0	16.0	500	500
8	08MQ-BT-L	08MQ-ST-L	14.0	18.0	500	250
9	09MQ-BT-L	09MQ-ST-L	16.0	20.0	500	250
10	10MQ-BT-L	10MQ-ST-L	18.0	22.0	250	250
12	12MQ-BT-L	12MQ-ST-L	22.0	26.0	250	250

Material and Finish

Contact: Phosphor bronze, tin-plated (reflow treatment)
Housing: PA 66, UL94V-0

RoHS2 compliance

Low insertion force type Shrouded header



Circuits	Model No.	Dimensions (mm)		Qty / box
		A	B	
4	B4P-MQ-C	6.0	10.8	500
5	B5P-MQ-C	8.0	12.8	500
6	B6P-MQ-C	10.0	14.8	500
7	B7P-MQ-C	12.0	16.8	250
8	B8P-MQ-C	14.0	18.8	250
9	B9P-MQ-C	16.0	20.8	250
10	B10P-MQ-C	18.0	22.8	250
12	B12P-MQ-C	22.0	26.8	200

Material and Finish

Pin: Brass, copper-undercoated, tin-plated (reflow treatment)
Wafer: PA 66, UL94V-0

RoHS2 compliance This product displays (LF)(SN) on a label.