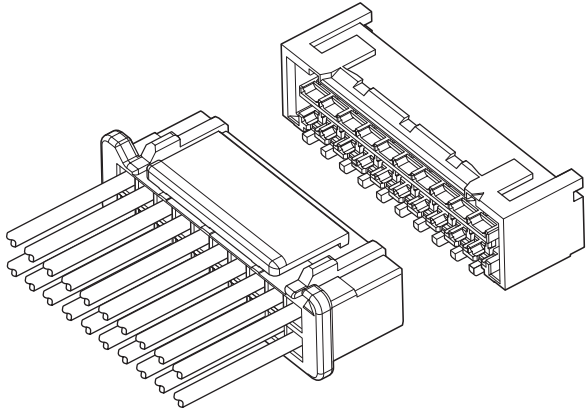


# PBD CONNECTOR

2.0mm pitch/Disconnectable Crimp style connectors

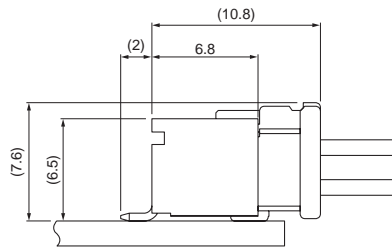
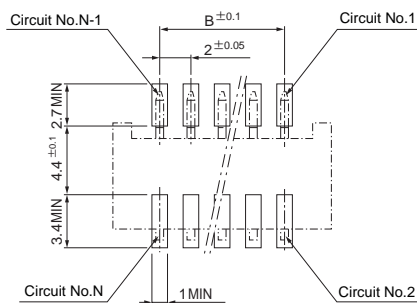


- **Secure locking structure**
- **Sucking area on header**
- **High reliability contact**
- **Side entry dual-row type**
- **Applicator is interchangeable with those of the PHD connector contact.**

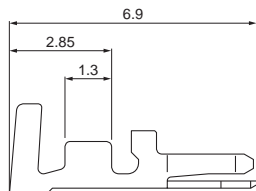
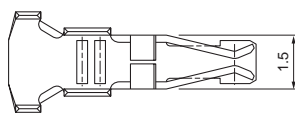
## Specifications

- Current rating: 3 A AC, DC (AWG #22)
  - Voltage rating: 100 V AC, DC
  - Temperature range: -25°C to +85°C  
(including temperature rise in applying electrical current)
  - Contact resistance: Initial value/ 10 mΩ max.  
After environmental tests/ 20 mΩ max.
  - Insulation resistance: Initial/ 1,000 MΩ min.
  - Withstanding voltage: 800 VAC/minute
  - Applicable wire: Conductor size/ AWG #26 to #22  
Insulation O.D./ 1.0 to 1.5 mm
- \* Refer to "General Instruction and Notice when using Terminals and Connectors" at the end of this catalog.  
\* Contact JST for details.  
\* Compliant with RoHS.

## PC board layout and Assembly layout



## Contact



Model No.	Applicable wire		Insulation O.D. (mm)	Q'ty/reel
	mm <sup>2</sup>	AWG#		
SPBD-001T-P0.5	0.13~0.33	26~22	1.0~1.5	10,000
SPBD-002T-P0.5	0.08~0.21	28~24	0.8~1.5	10,000

### Material and Finish

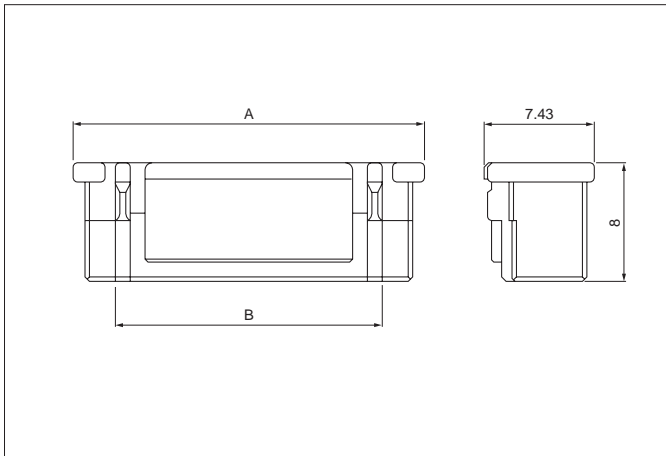
Phosphor bronze, tin-plated (reflow treatment)

### RoHS compliance

Contact	Crimping machine	Applicator		
		Crimp applicator	Dies	Crimp applicator with dies
SPBD-001T-P0.5	AP-K2N	MKS-L	MK/SPBD-001-05	APLMK SPBD001-05
		MKS-L-10	MK/SPHD-001-05	APLMK SPHD001-05
		—	—	—
SPBD-002T-P0.5	AP-K2N	MKS-L	MK/SPBD-002-05	APLMK SPBD002-05
		MKS-L-10	MK/SPHD-002-05	APLMK SPHD002-05
		—	—	—

# PBD CONNECTOR

## Housing



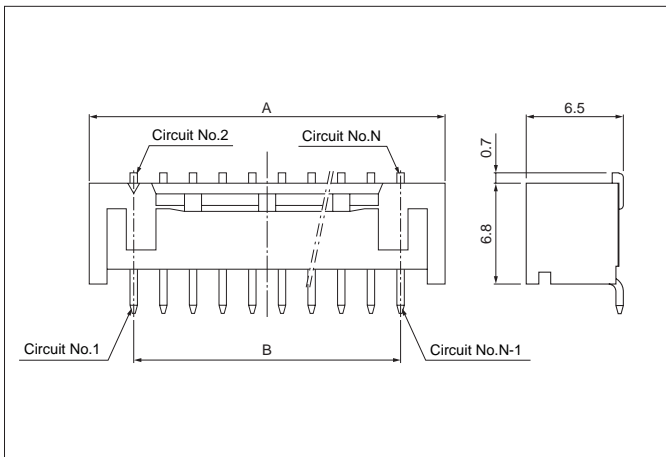
Circuits	Model No.	Dimensions (mm)		Q'ty/ bag
		A	B	
16	<b>PBDP-16V-S</b>	19.7	14.0	500
20	<b>PBDP-20V-S</b>	23.7	18.0	300
30	<b>PBDP-30V-S</b>	33.7	28.0	200

### Material

PBT, UL94V-0, natural (white)

**RoHS compliance**

## Shrouded header



Circuits	Model No.	Dimensions (mm)		Q'ty/ bag
		A	B	
16	<b>SM16B-PBDSS-TF</b>	20.0	14.0	800
20	<b>SM20B-PBDSS-TF</b>	24.0	18.0	800
30	<b>SM30B-PBDSS-TF</b>	34.0	28.0	800

### Material and Finish

Post: Copper alloy, copper-undercoated, tin-plated (reflow treatment)

Base housing: Polyamide resin, UL94V-0, natural (ivory)

Base contact: Copper alloy, copper-undercoated, tin-plated (reflow treatment)

**RoHS compliance** This product displays (LF)(SN) on a label.  
Note: These products listed above are supplied on embossed-tape.