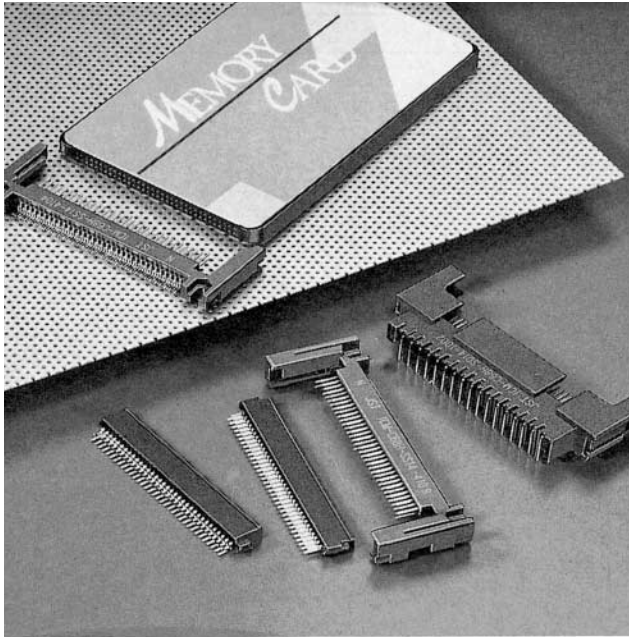


JST
PC
Card

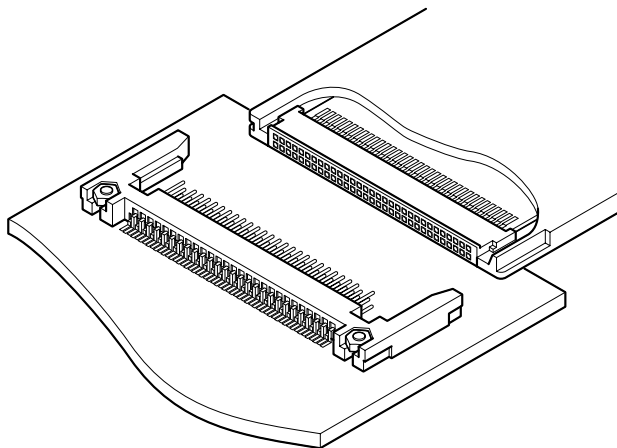
1.27mm
pitch

PC CARD CONNECTOR C TYPE

68-circuit PC card connectors



1.27mm pitch 68-circuit connector for PC cards.



Features

- Header pins are designed to be protected against static electricity
- **Easy inspection and touch-up after reflow soldering**
The SMT type header is 0.635mm pitch, with single row solder tails positioned so that inspection and touch-up after reflow soldering is easy.
- **Socket**
Two mounting methods, dual row straddle type and in line SMT type with variation of PC board offset distance. Newly lined up springy grounding pin type socket provides easy but stable grounding circuit connection between PC board to metal section of card frame by springy No.1 and No.35 grounding pins.
- **Applicable to low-voltage (3.3V) card**
Headers for type III cards have a groove to be applicable to the low-voltage (3.3V) cards.

Specifications

- Current rating: 0.5 A AC, DC/line
 - Temperature range: -40°C to +85°C
(including temperature rise in applying electrical current)
 - Contact resistance: Initial value/ 40 mΩ max.
After environmental tests/ 20 mΩ max.
(variation from initial value)
 - Withstanding voltage: 500 VAC/minute
 - Insulation resistance: 1,000 MΩ min. (Initial)
 - Mating/unmating life: 10,000 cycles
- * Refer to "General Instruction and Notice when using Terminals and Connectors" at the end of this catalog.
* Contact JST for details.
* Compliant with RoHS.

Standards

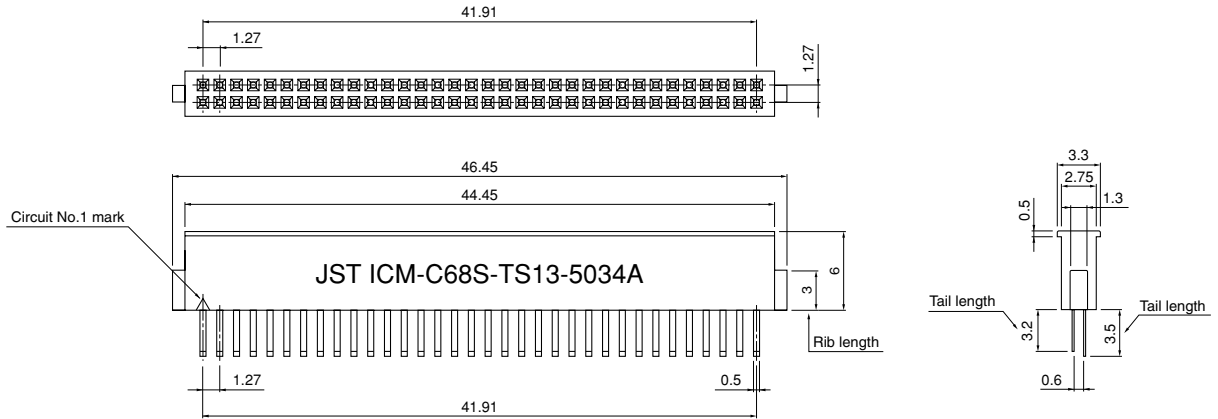
 Recognized E60389

 Certified LR20812

PC CARD CONNECTOR C TYPE

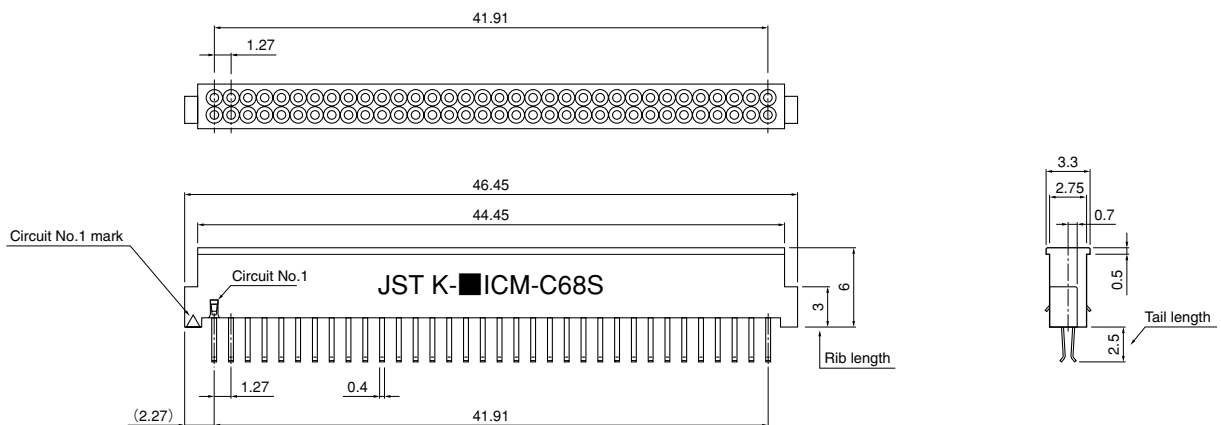
Socket

Dual-row straddle type



Dual-row straddle type with GND spring

ICM-C68S-TS13-6032



Circuits	Solder tail	GND spring	Offset dimensions	Rib length (mm)	Tail length (mm)	Model No.	Q'ty / box	Material and Finish
68	Dual-row straddle type	Without	Center	3.0	3.2, 3.5	ICM-C68S-TS13-5034A	480	Contact: Copper alloy, nickel-undercoated, Mating part; gold-plated Solder tail; tin-plated (reflow treatment) Housing: PA6T, UL94V-0, black
		With (Circuit No.1, No.35)	Center	3.0	2.5	ICM-C68S-TS13-6032	360	Contact: Copper alloy, nickel-undercoated, Mating part; gold-plated Solder tail; tin-plated (reflow treatment) Grounding spring: Copper alloy, nickel-undercoated, gold-plated

RoHS compliance This product displays (LF)(SN) on a label.

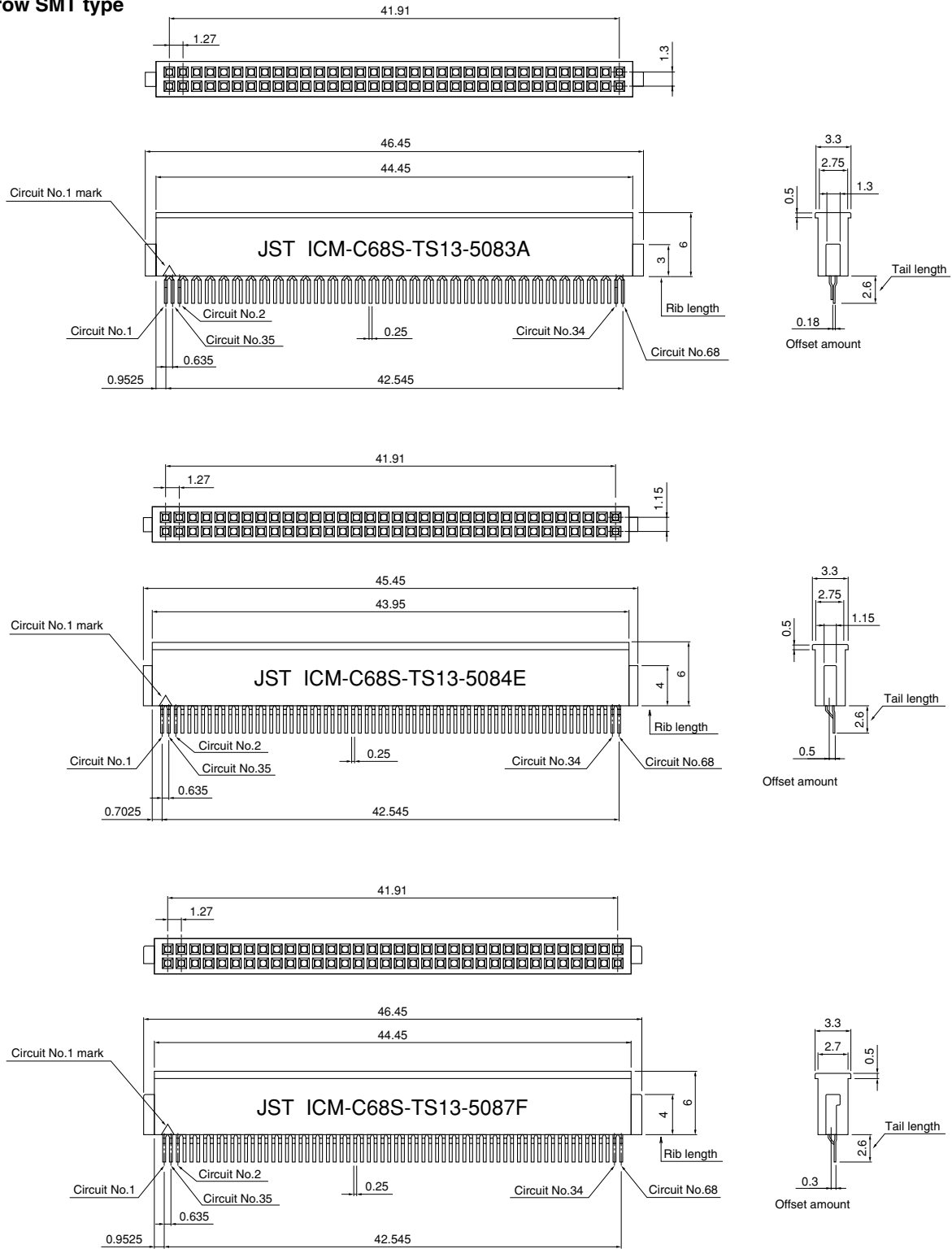
Note: 1. ICM-C68S-TS13-5033A, ICM-C68S-TS13-5034A and ICM-C68S-TS13-5073A are not UL/CSA approved.

2. ICM-C68S-TS13-6032 is not CSA approved

PC CARD CONNECTOR C TYPE

Socket

Single-row SMT type



Circuits	Solder tail	GND spring	Offset dimensions(mm)	Rib length (mm)	Tail length (mm)	Model No.	Q'ty	Material and Finish
68	Single-row SMT type	Without	0.18	3.0	2.6	ICM-C68S-TS13-5083A	360 / box	Contact: Copper alloy, nickel-undercoated, Mating part: gold-plated Solder tail; tin-plated (reflow treatment) Housing: PA6T, UL94V-0, black
			0.5	4.0	2.6	ICM-C68S-TS13-5084ET	1,500 / reel	
			0.3	4.0	2.6	ICM-C68S-TS13-5087FT	1,500 / reel	

RoHS compliance This product displays (LF)(SN) on a label.

Note: 1. ICM-C68S-TS13-5084ET & ICM-C68S-TS13-5087FT are supplied on embossed-tape.

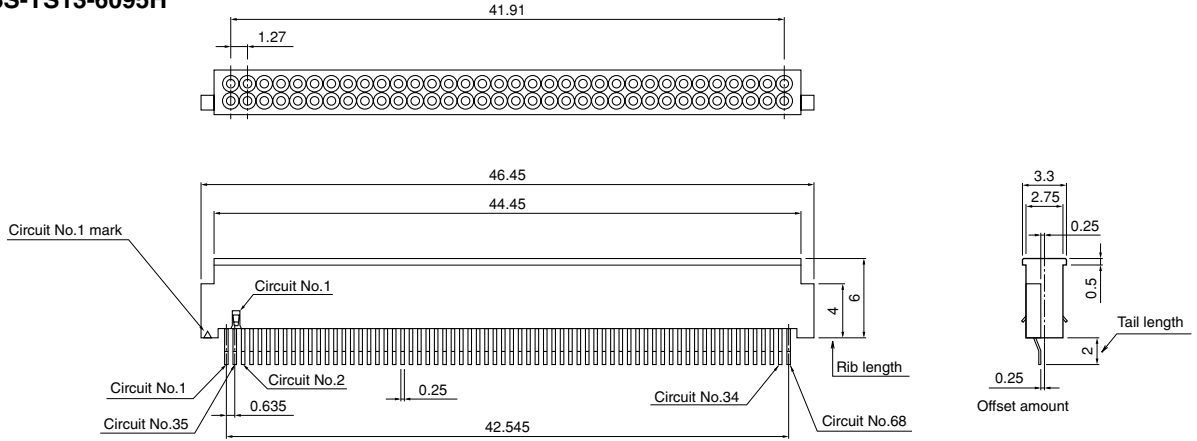
2. Not UL/CSA approved.

PC CARD CONNECTOR C TYPE

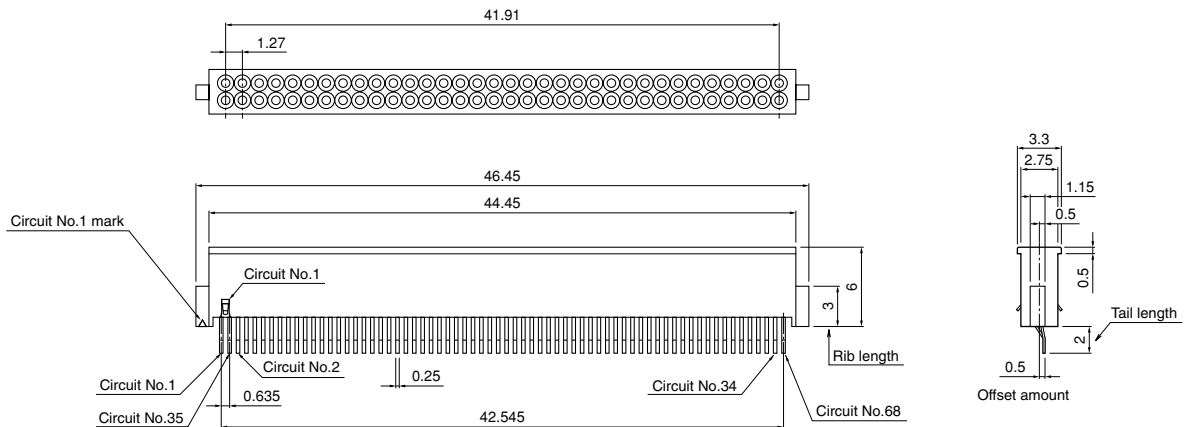
Socket

Single-row SMT type (with GND spring)

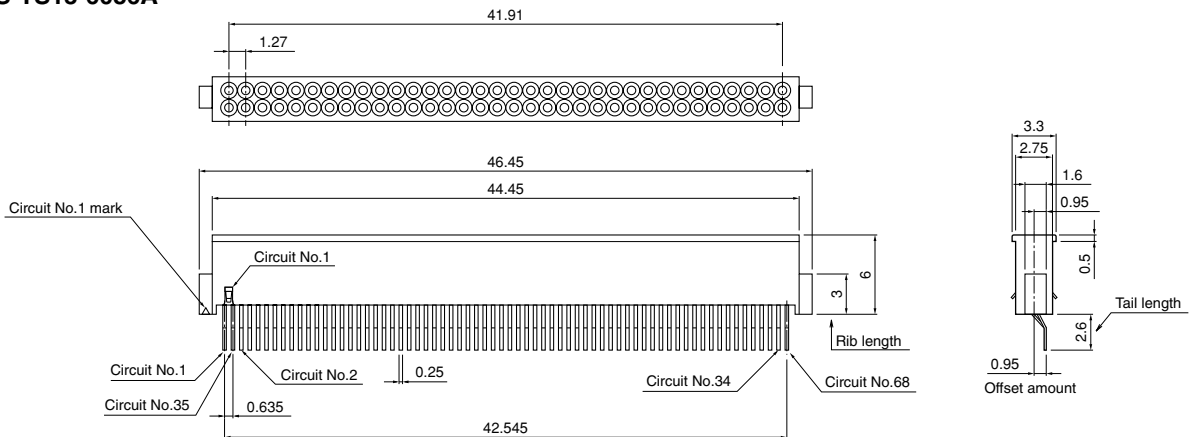
ICM-C68S-TS13-6095H



ICM-C68S-TS13-6084B



ICM-C68S-TS13-6086A

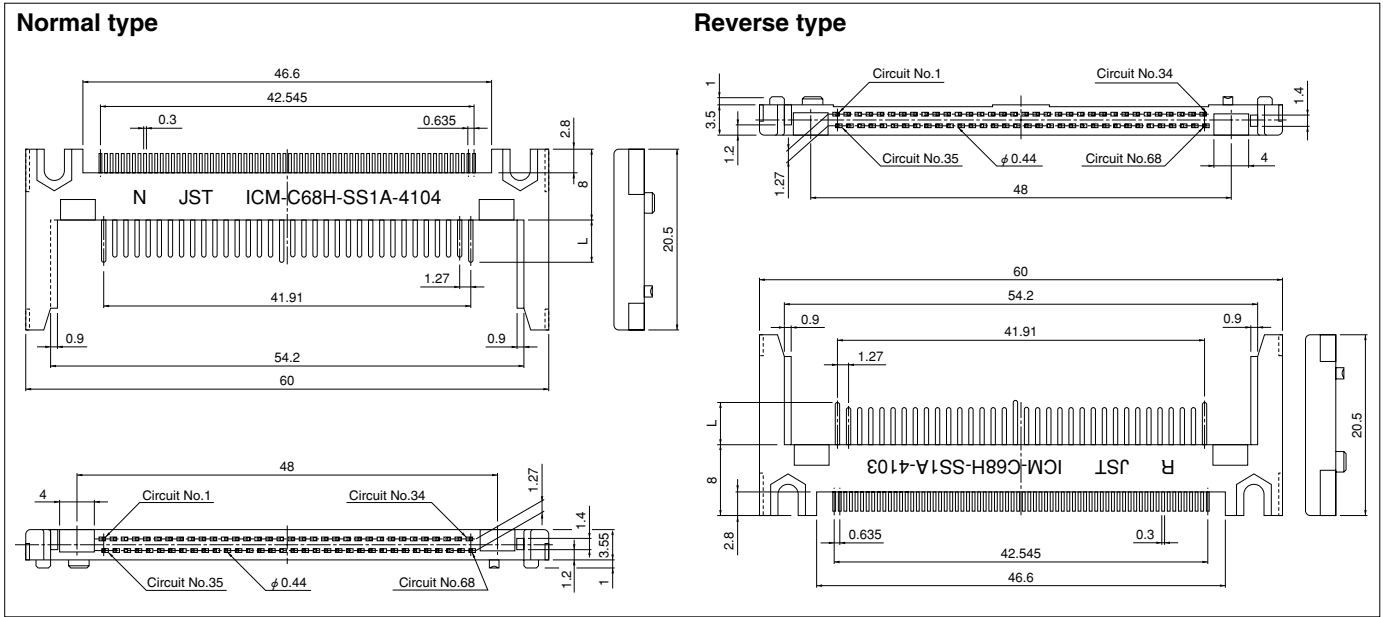


Circuits	Solder tail	GND spring	Offset dimensions(mm)	Rib length (mm)	Tail length (mm)	Model No.	Q'ty / box (Note 1)	Material and Finish
68	Single-row SMT type with GND spring	With (Circuit No.1, No.35)	0.25	4.0	2.0	ICM-C68S-TS13-6095H	360	Contact: Copper alloy, nickel-undercoated, Mating part; gold-plated
			0.5	3.0	2.0	ICM-C68S-TS13-6084B	360	Solder tail; tin-plated (reflow treatment)
			0.95	3.0	2.6	ICM-C68S-TS13-6086A	360	Housing: LCP, UL94V-0, black Grounding spring: Copper alloy, nickel-undercoated, gold-plated

RoHS compliance This product displays (LF)(SN) on a label.
 Note: 1. The products supplied on embossed-tape are also available.
 2. Not UL/CSA approved.

PC CARD CONNECTOR C TYPE

Header / SMT type (for Type I cards)

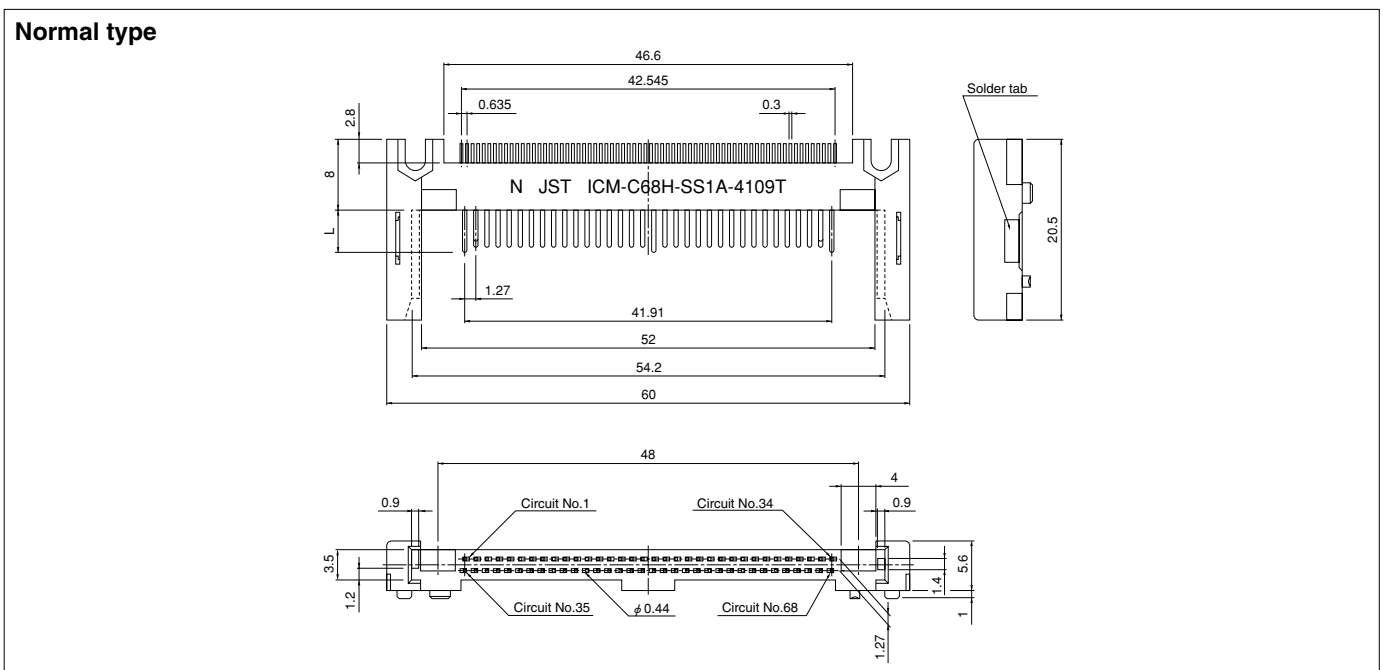


Circuits	Type	Model No.	Q'ty / box	Material and Finish
68	Normal	ICM-C68H-SS1A-4104	110	Contact: Phosphor bronze, nickel-undercoated, Mating part; gold-plated Solder tail; tin-plated (reflow treatment)
	Reverse	ICM-C68H-SS1A-4103		Housing: PPS, UL94V-0, natural

Dimension L	
Circuit No.	Dimensions (mm)
1, 17, 34, 35, 51, 68	5.0 ±0.1
2 to 16, 18 to 33, 37 to 50, 52 to 66	4.25 ±0.1
36, 37	3.5 ±0.1

RoHS compliance This product displays (LF)(SN) on a label.

Header / SMT type (for Type II cards)



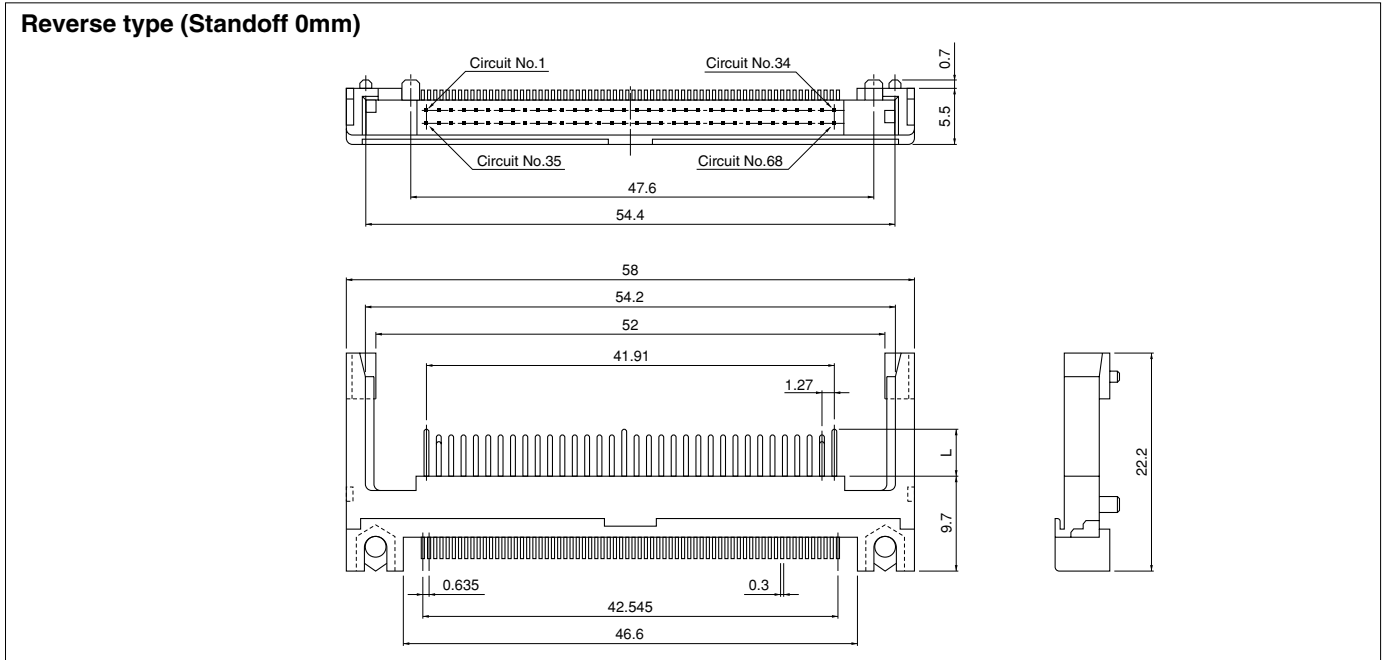
Circuits	Type	Model No.	Q'ty / box	Material and Finish
68	Normal	ICM-C68H-SS1A-4109T	80	Contact: Phosphor bronze, nickel-undercoated, Mating part; gold-plated Solder tail; tin-plated (reflow treatment) Solder tab: Phosphor bronze, copper-undercoated, tin-plated (reflow treatment)

Dimension L	
Circuit No.	Dimensions (mm)
1, 17, 34, 35, 51, 68	5.0 ±0.1
2 to 16, 18 to 33, 37 to 50, 52 to 66	4.25 ±0.1
36, 37	3.5 ±0.1

RoHS compliance This product displays (LF)(SN) on a label.

PC CARD CONNECTOR C TYPE

Header / SMT type for 3.3V (for Type III cards)



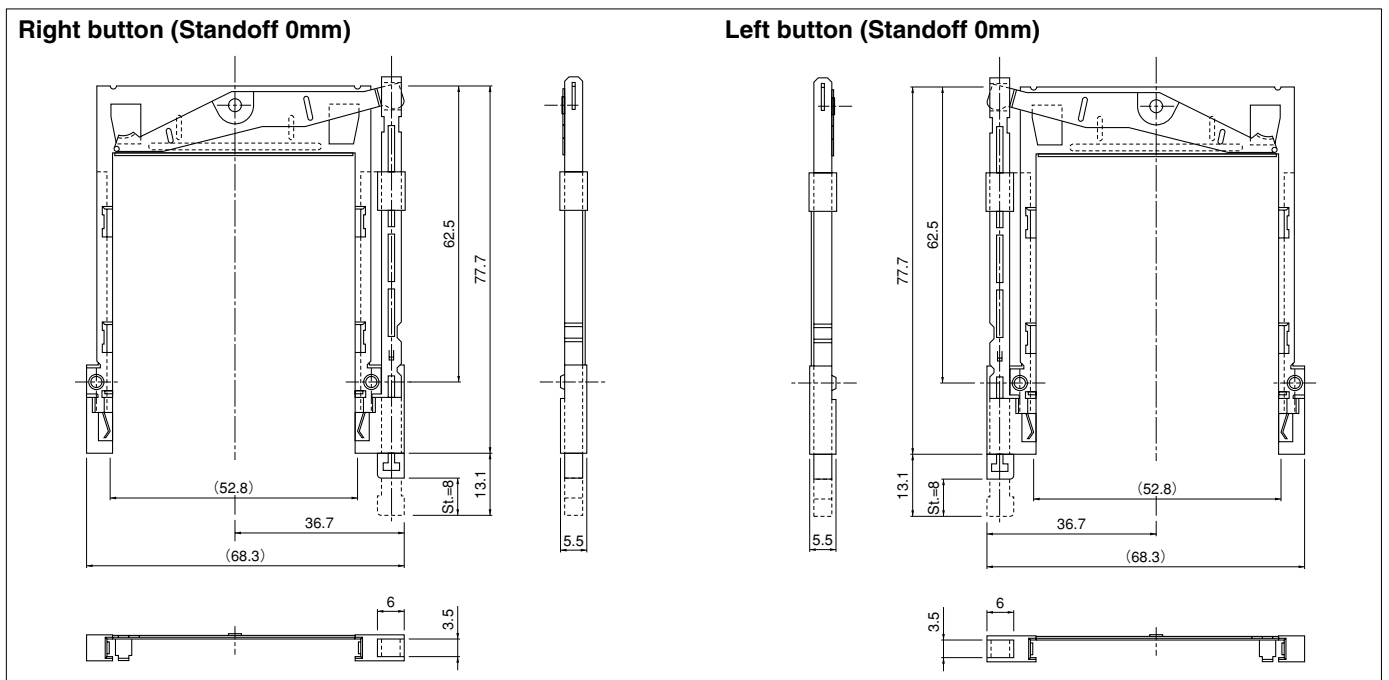
Circuits	Type	Model No.	Q'ty / box	Material and Finish
68	Reverse	ICM-C68H-S112-400R1	90	Contact: Phosphor bronze, nickel-undercoated, Mating part; gold-plated Solder tail; tin-plated (reflow treatment) Housing: PA6T, UL94V-0, black

Dimension L

Circuit No.	Dimensions (mm)
1, 17, 34, 35, 51, 68	5.0 ±0.1
2 to 16, 18 to 33, 37 to 50, 52 to 66	4.25±0.1
36, 37	3.5 ±0.1

RoHS compliance This product displays (LF)(SN) on a label.
Not UL/CSA approved.

Ejector / SMT type (for Type III cards)



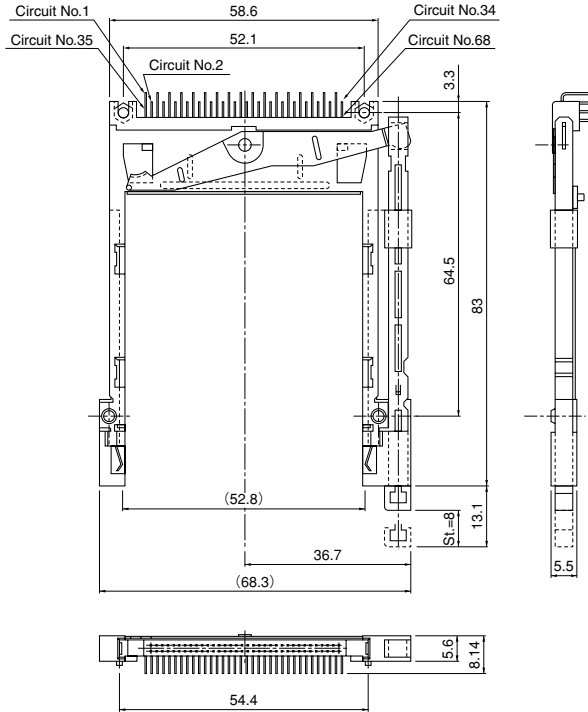
Stand off	Type	Model No.	Applicable header	Q'ty / box	Material and Finish
0 mm	Right button	ICME-C68R-300HA	ICM-C68H-S112-400R1	20	Guide bar, Push bar: PBT, UL94V-0 Frame, Rotating arm: Stainless Eyelet: Copper alloy
	Left button	ICME-C68L-300HA			

RoHS compliance Ejector displays \perp A on a label. (\perp shows space.)
Application header displays (LF)(SN) on a label.
Not UL/CSA approved.

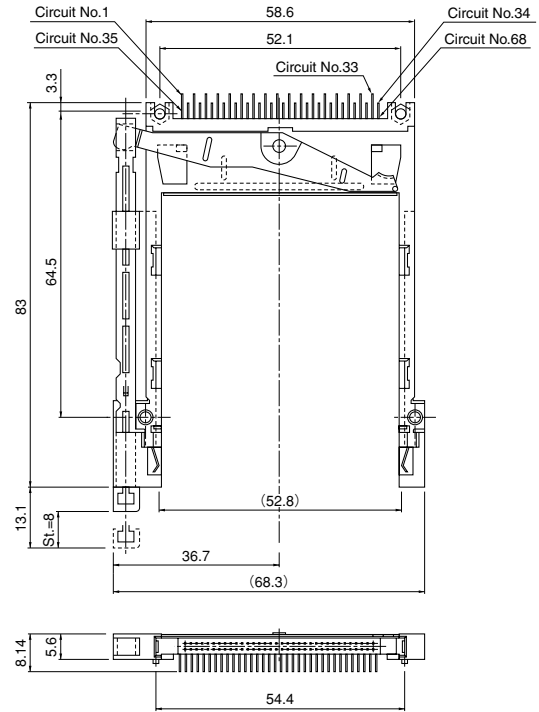
PC CARD CONNECTOR C TYPE

Ejector mounted header / Through-hole type for 3.3V (for Type III cards)

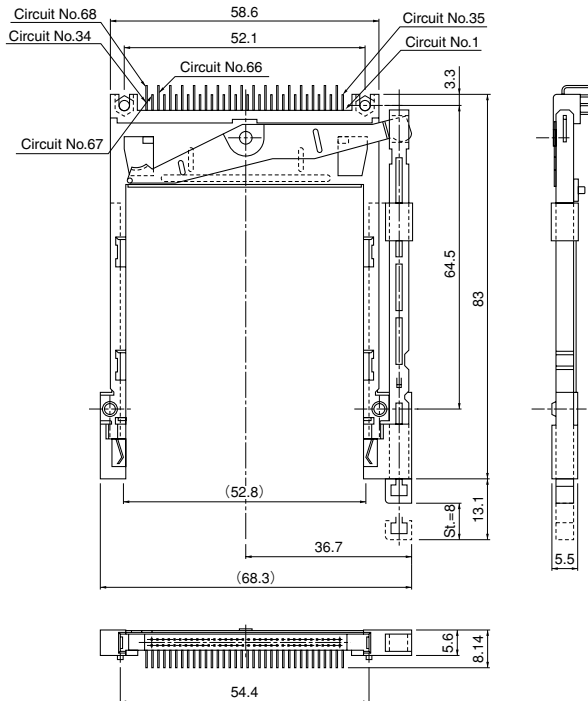
Right button (Standoff 0mm) Normal



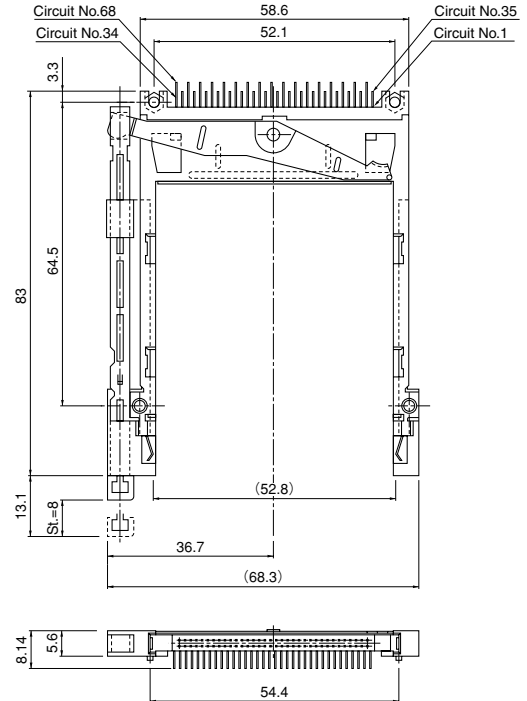
Left button (Standoff 0mm) Normal



Right button (Standoff 0mm) Reverse



Left button (Standoff 0mm) Reverse



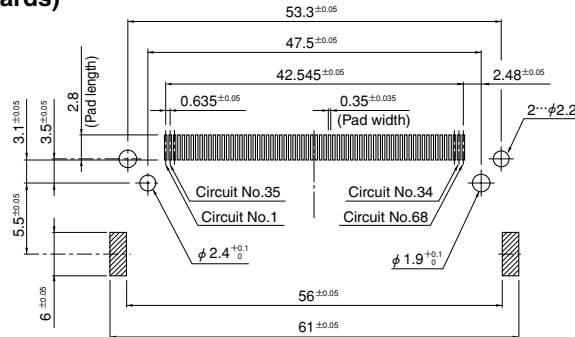
Type		Model No.	Q'ty / box	Material and Finish	
Normal	Right button	ICME68H-R0-D1120NHA	—	Contact: Phosphor bronze, nickel-undercoated, Mating part; gold-plated Solder tail; tin-plated (reflow treatment) Housing: PBT, UL94V-0	Guide bar: PBT, UL94V-0 Frame: Stainless Rotating arm: Stainless Push bar: PBT, UL94V-0 Eyelet: Copper alloy
	Left button	ICME68H-L0-D1120NHA			
Reverse	Right button	ICME68H-R0-D1120RHA	—		
	Left button	ICME68H-L0-D1120RHA			

RoHS compliance This product displays (LF)(SN) A on a label.
Not UL/CSA approved.

PC CARD CONNECTOR C TYPE

PC board layout (viewed from component side)

Header/SMT type (for Type I, II cards)
(Refer to Note 2 below)



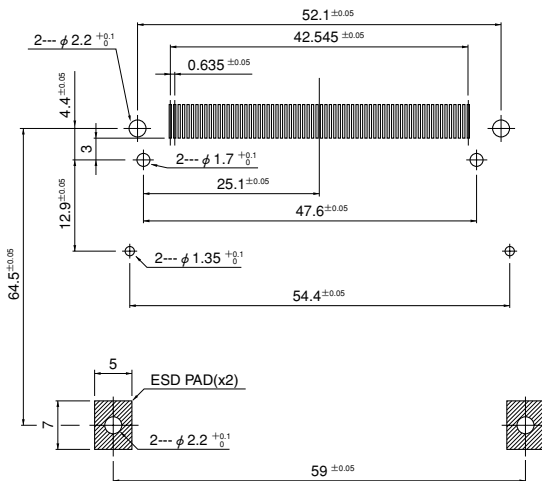
Note: 1. Tolerances are non-cumulative: $\pm 0.05\text{mm}$ for all centers.

2. This layout is applied to the headers Model Nos. ICM-C68H-SS1A-4103/-4104/-4108T/-4109T.

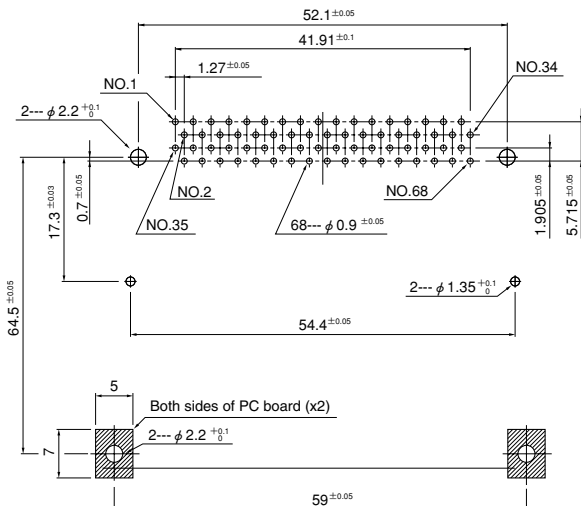
3. Hole dimensions differ according to the type of PC board and piercing method. The dimensions above should serve as a guideline. Contact JST for details.

PC board layout (viewed from component side)

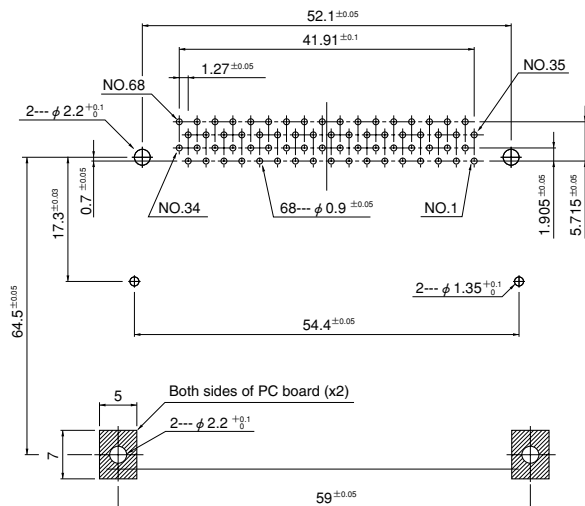
SMT type/Standoff 0mm Type III cards
(Refer to Note 3 below)



Through-hole type/Type III cards Normal type
(Refer to Note 4 below)



Through-hole type/Type III cards Reverse type
(Refer to Note 5 below)



Note: 1. Hole dimensions differ according to the type of PC board and piercing method. The dimensions above should serve as a guideline. Contact JST for details.

2. Tolerances are non-cumulative: $\pm 0.05\text{mm}$ for all centers.

3. This layout is applied to the header Model No. ICM-C68H-S112-400R1 and to ejectors Model No. ICME-C68L-300HA/C68R-300HA.

4. This layout is applied to the ejector mounted headers Model No. ICME68H-R0-D1120NHA/L0-D1120NHA/R0-D1121NHA/L0-D1121NHA.

5. This layout is applied to the ejector mounted headers Model No. ICME68H-R0-D1120RHA/L0-D1120RHA/R0-D1121RHA/L0-D1121RHA.