



PS CONNECTOR

Connectors for tabs

- **Secure locking, easy insertion**
- **Stable contact performance**
- **Mis-insertion prevention mechanism and housing lance**
- **Tab mis-mating prevention mechanism (Short housing type)**
- **The product compatible with glow wire is also available for short housing type.**

Standards

Recognized E60389

Certified LR20812

R9850196

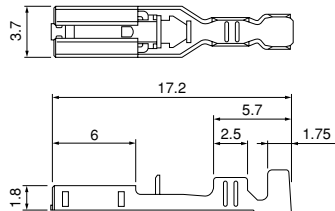
Specifications

- Current rating: 25 A AC, DC (#250 Tab/AWG #10)
 - Voltage rating: 250 V AC, DC
 - Temperature range: -40°C to +105°C
(including temperature rise in applying electrical current)
 - Contact resistance: Initial value/ 3 mΩ max.
After environmental tests/ 6 mΩ max.
 - Insulation resistance: 1,000 MΩ min.
 - Withstanding voltage: 2,000 VAC/minute
 - Applicable wire: #110...AWG #24 to #16 #187...AWG #26 to #14
#205...AWG #22 to #14 #250...AWG #22 to #10
 - Applicable Tab: #110 Tab 0.5 mm thick
#187 Tab 0.5 mm/ 0.8 mm thick
#205 Tab 0.5 mm/ 0.8 mm thick
#250 Tab 0.8 mm thick
- * Contact JST when you use the glow wire correspondence product of PS-250-G (Short housing type).
- * Refer to "General Instruction and Notice when using Terminals and Connectors" at the end of this catalog.
- * Contact JST for details.
- * Compliant with RoHS.

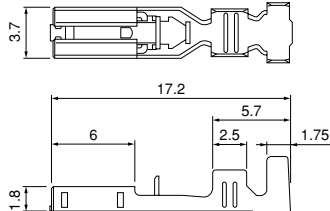
Contact

#110 Series

SPS-01T-110



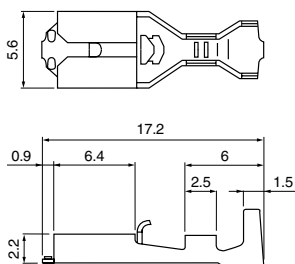
SPS-41T-110



#187 Series

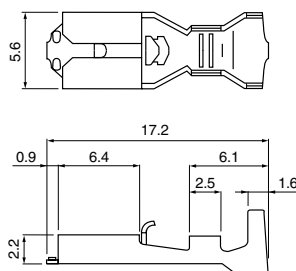
SPS-01T-187

(for 0.5mm thick tabs)



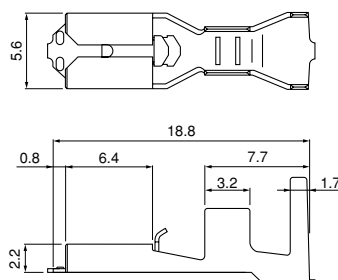
SPS-51T-187

(for 0.5mm thick tabs)



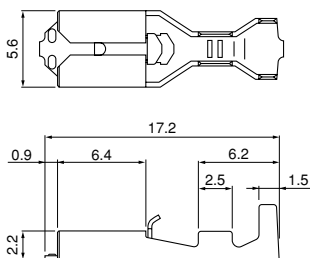
SPS-82T-187

(for 0.5mm thick tabs)



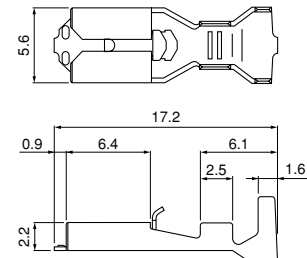
SPS-01T-187-8

(for 0.8mm thick tabs)



SPS-51T-187-8

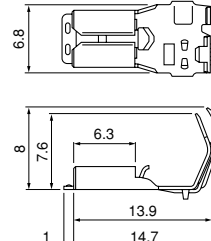
(for 0.8mm thick tabs)



<Flag type>

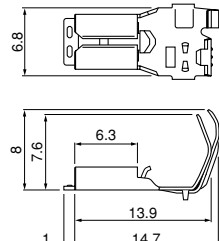
SFPS-41T-187

(for 0.5mm thick tabs)



SFPS-41T-187-8

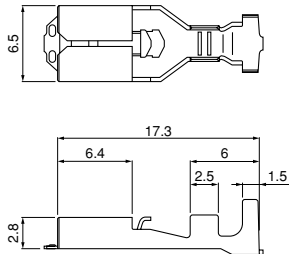
(for 0.8mm thick tabs)



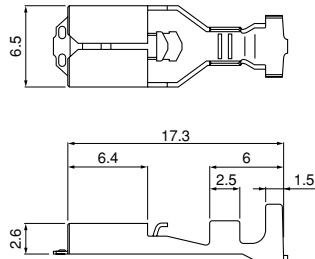
Contact

#205 Series

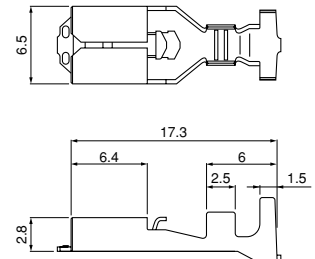
SPS-21T-205
(for 0.8mm thick tabs)



SPS-21T-205-5
(for 0.5mm thick tabs)

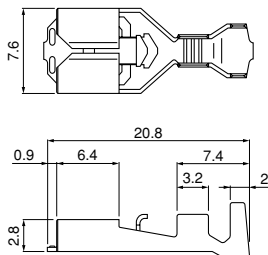


SPS-51T-205
(for 0.8mm thick tabs)

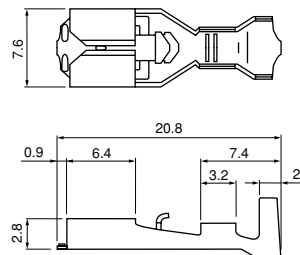


#250 Series

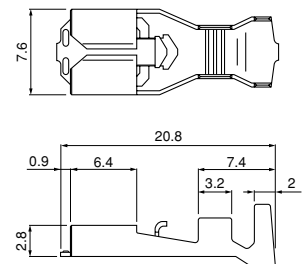
SPS-21T-250



SPS-61T-250

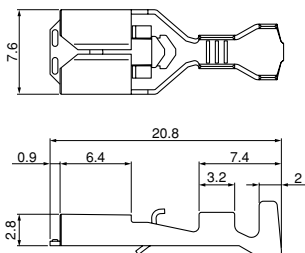


SPS-91T-250

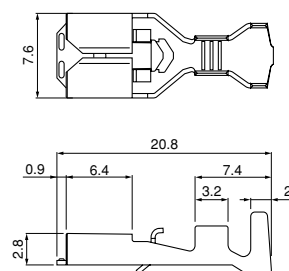


<Short housing type>

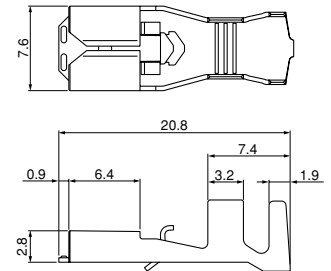
SPS-21T-250R



SPS-61T-250R

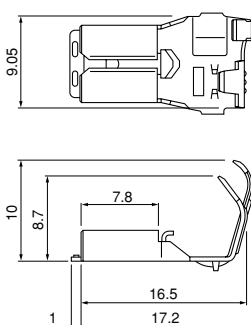


SPS-91T-250R

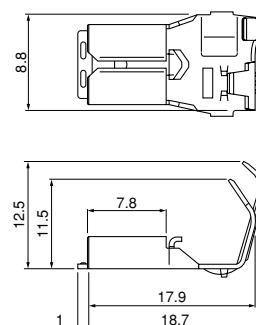


<Flag type>

SFPS-61T-250



SFPS-91T-250

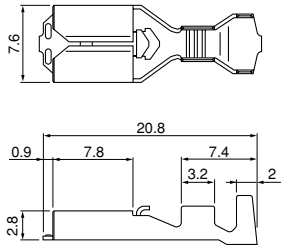


PS CONNECTOR

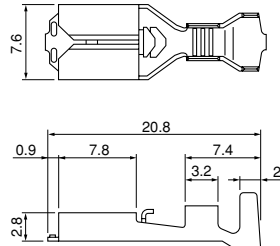
Contact

#250S Series

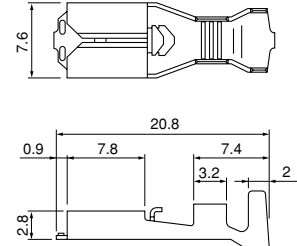
SPS-21T-250S



SPS-61T-250S



SPS-91T-250S



Series	Model No.	Applicable wire		Insulation O.D.(mm)	Q'ty / reel
		mm ²	AWG #		
#110	SPS-01T-110	0.21~0.5	24~20	1.0~2.5	10,000
	SPS-41T-110	0.5 ~ 1.31	20~16	1.9~3.4	10,000
#187	for 0.5mm thick tabs SPS-01T-187	0.13~0.5	26~20	1.3~3.4	10,000
	SPS-51T-187	0.5 ~ 2.0	20~14	1.9~3.6	7,500
	*SPS-82T-187	0.75+0.75~1.25+1.25	18+18~16+16	2.1+2.1~2.9+2.9	3,500
	for 0.8mm thick tabs SPS-01T-187-8	0.13~0.5	26~20	1.3~3.4	10,000
	SPS-51T-187-8	0.5 ~ 2.0	20~14	1.9~3.6	7,500
#187 flag	for 0.5mm thick tabs for 0.8mm thick tabs SFPS-41T-187	0.3 ~ 1.25	22~16	1.7~3.4	5,000
	SFPS-41T-187-8	0.3 ~ 1.31	22~16	1.7~3.4	5,000
#205	for 0.8mm thick tabs SPS-21T-205	0.3 ~ 0.75	22~18	1.5~3.1	5,000
	for 0.5mm thick tabs SPS-21T-205-5	0.3 ~ 0.75	22~18	1.5~3.1	5,000
	for 0.8mm thick tabs SPS-51T-205	0.5 ~ 2.0	20~14	1.9~3.6	5,000
#250	SPS-21T-250	0.3 ~ 0.75	22~18	1.5~3.1	5,000
	SPS-21T-250R	0.3 ~ 0.75	22~18	1.5~3.1	3,500
	SPS-61T-250	0.75~2.0	18~14	2.1~3.9	5,000
	SPS-61T-250R	0.75~2.0	18~14	2.1~3.9	3,500
	SPS-91T-250	2.0 ~ 5.5	14~10	3.0~4.7	4,000
#250 flag	SFPS-61T-250	0.75~2.0	18~14	2.1~3.9	3,000
	SFPS-91T-250	3.5 ~ 5.5	12~10	4.0~5.2	2,000
#250S	SPS-21T-250S	0.3 ~ 0.75	22~18	1.5~3.1	5,000
	SPS-61T-250S	0.75~2.0	18~14	2.1~3.9	5,000
	SPS-91T-250S	2.0 ~ 5.5	14~10	3.0~4.7	4,000

Material and Finish

Brass, tin-plated (reflow treatment)

RoHS compliance

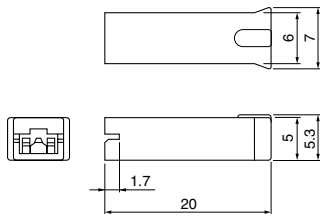
Note: *Marked product is not CSA/TÜV approved.

Contact	Crimping machine	Applicator		
		Crimp applicator	Dies	Crimp applicator with dies
SPS-01T-110	AP-K2N	MK-L-SPS	MK/SPS-01-110	APLMK SPS01-110
SPS-41T-110		MK-L-SPS	MK/SPS-41-110	APLMK SPS41-110
SPS-01T-187(-8)		MK-L-SPS	MK/SPS-01-187	APLMK SPS01-187
SPS-51T-187(-8)		MK-L-SPS	MK/SPS-51-187	APLMK SPS51-187
SPS-82T-187		MK-L-SPS	MK/SPS-82-187	APLMK SPS82-187
SFPS-41T-187(-8)		MKF-L-PS187	MK/SFPS-41-187	APL SFPS41-187
SPS-21T-205(-5)		MK-L-SPS	MK/SPS-21-205	APLMK SPS21-205
SPS-51T-205		MK-L-SPS	MK/SPS-51-205	APLMK SPS51-205

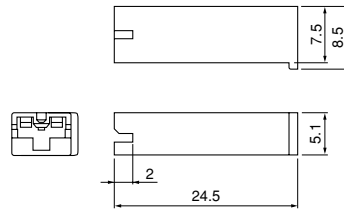
Contact	Crimping machine	Applicator		
		Crimp applicator	Dies	Crimp applicator with dies
SPS-21T-250(S)	AP-K2N	MK-L-SPS	MK/SPS-21-250	APLMK SPS21-250
SPS-21T-250R		MK-L-SPS	MK/SPS-21-250R	APLMK SPS21-250R
SPS-61T-250(S)		MK-L-SPS	MK/SPS-61-250	APLMK SPS61-250
SPS-61T-250R		MK-L-SPS	MK/SPS-61-250R	APLMK SPS61-250R
SPS-91T-250(S)		MK-L-SPS	MK/SPS-91-250	APLMK SPS91-250
SPS-91T-250R		MK-L-SPS	MK/SPS-91-250R	APLMK SPS91-250R
SFPS-61T-250		MKF-L-PS250	MK/SFPS-61-250	APL SFPS61-250
SFPS-91T-250		MKF-L-PS9250	MK/SFPS-91-250	APL SFPS91-250

Housing

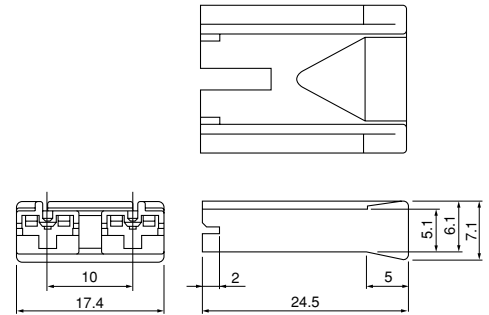
#110 Series
PS-110



#187 Series
PS-187

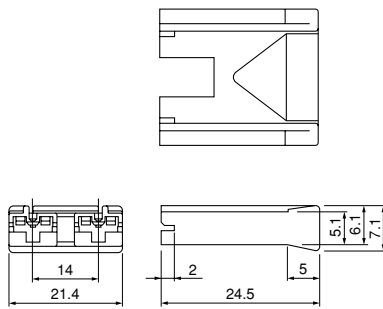


PS-187-2A-10

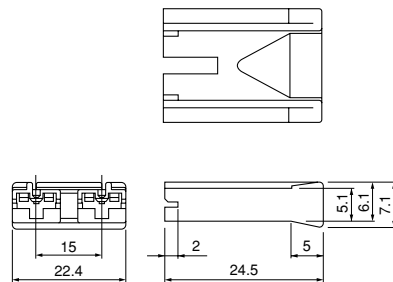


#187 Series

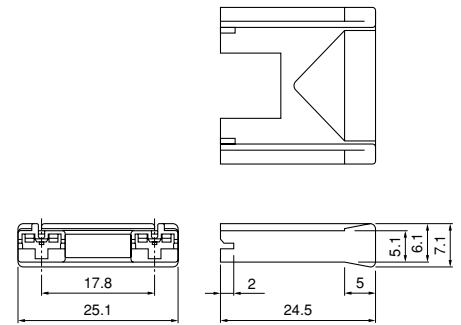
PS-187-2A-14



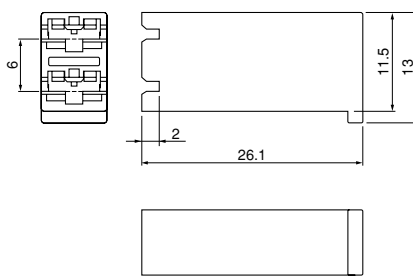
PS-187-2A-15



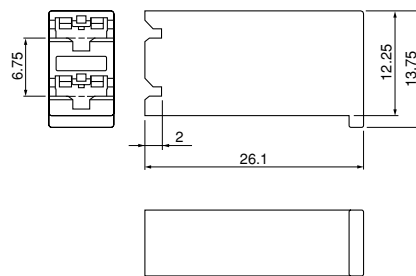
PS-187-2A-17.8



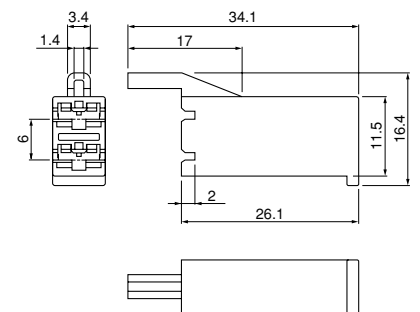
PS-187-2B



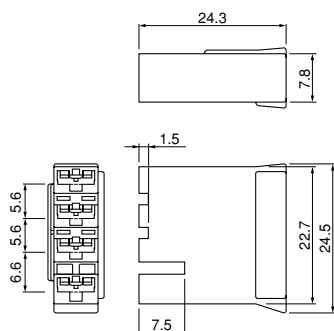
PS-187-2B-6.75



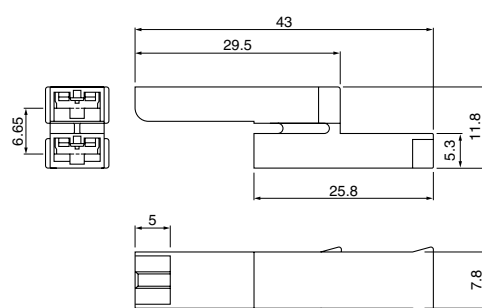
PS-187-2B1



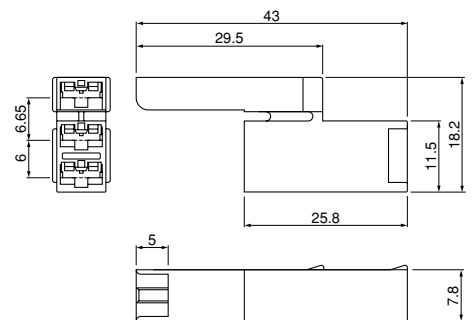
PS-187-4B



PS-187-2V



PS-187-3V

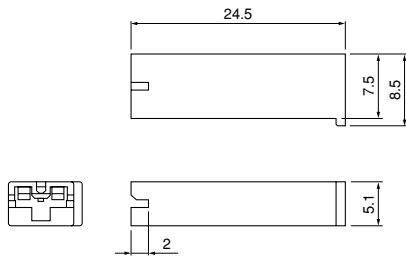


PS CONNECTOR

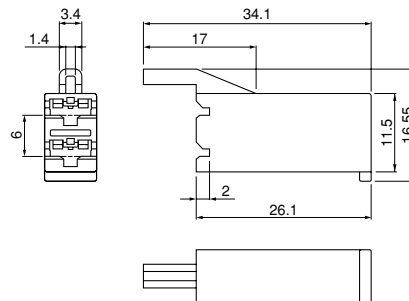
Housing

#187 Series

PS-187-8-H

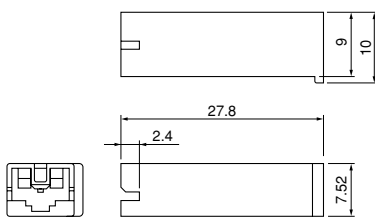


PS-187-2B1-8-H

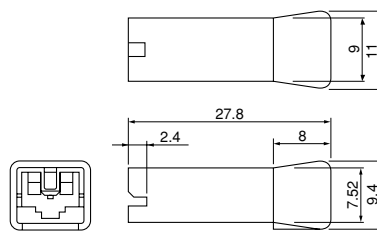


#250 Series

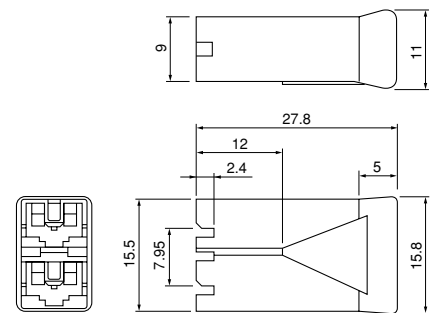
PS-250



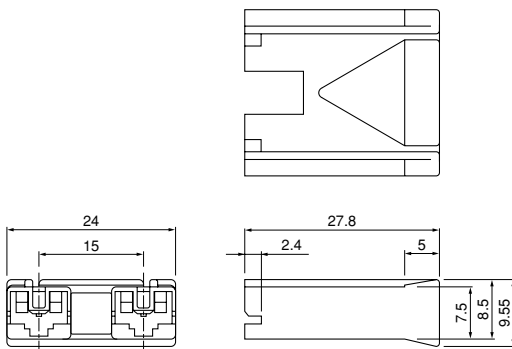
PS-250-A



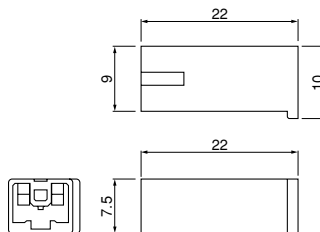
PS-250-2B



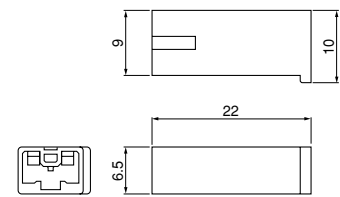
PS-250-2A-15



<Short housing type> PS-250-G (-WGJ2)

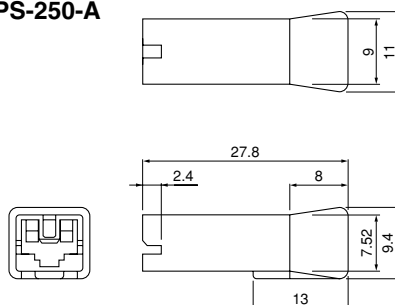


PS-250-GL (Thin type)



#250S Series

NPS-250-A

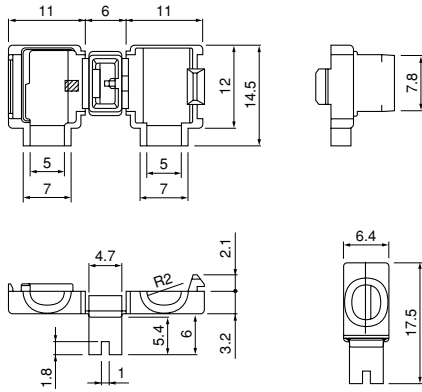


PS CONNECTOR

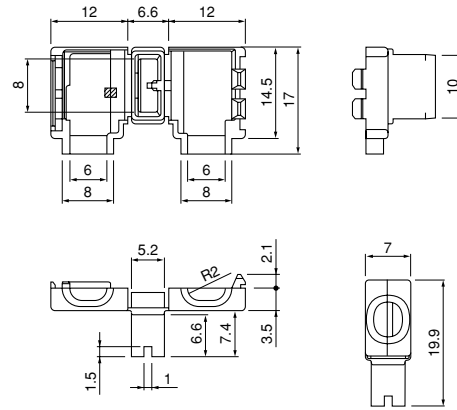
Housing

One-touch sleeve

FPS-187



FPS-250



Series	Model No.	Q'ty / bag	Applicable terminal
#110	PS-110	1,000	SPS-01T-110, SPS-41T-110
#187	PS-187	1,000	SPS-01T-187 SPS-51T-187 SPS-82T-187
	PS-187-2A-10	500	
	PS-187-2A-14	500	
	PS-187-2A-15	500	
	PS-187-2A-17.8	500	
	PS-187-2B	500	
	PS-187-2B-6.75	500	
	PS-187-2B1	500	SPS-01T-187-8 SPS-51T-187-8
	PS-187-4B	500	
	PS-187-2V	500	
	PS-187-3V	500	
	* PS-187-8-H	1,000	
	* PS-187-2B1-8-H	500	
#250	PS-250	1,000	SPS-21T-250 SPS-61T-250 SPS-91T-250
	PS-250-A	500	
	PS-250-2B	500	
	PS-250-2A-15	500	SPS-21T-250R SPS-61T-250R SPS-91T-250R
	PS-250-G	1,400	
	PS-250-GL	1,400	
	PS-250-G-WGJ2 (Compatible with glow wire)	1,400	
#250S	NPS-250-A	1,000	SPS-21T-250S SPS-61T-250S SPS-91T-250S
One-touch sleeve	* FPS-187	500	SFPS-41T-187
	* FPS-250	500	SFPS-61T-250

Material and Finish

PA 66, UL94V-0, natural (white)
 UL94V-0, gray <*-marked housing...for 0.8mm thick tabs>
 PA 6, UL94V-2, natural (white) (Compatible with glow wire)

RoHS compliance

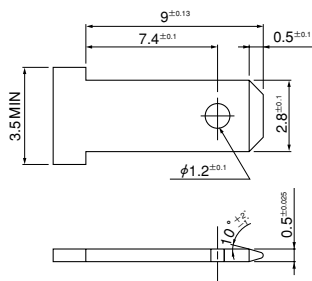
Note: FPS-187 and FPS-250 are UL recognized with File No. E55167 and CSA certified with File No. LR83372, but not TÜV approved.

PS CONNECTOR

Applicable tab

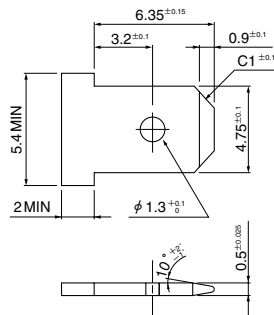
#110

(for 0.5mm thick tabs)

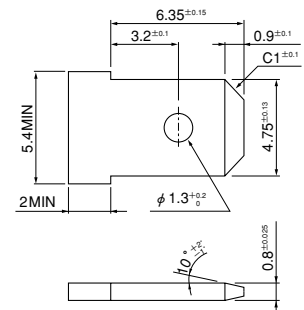


#187

(for 0.5mm thick tabs)

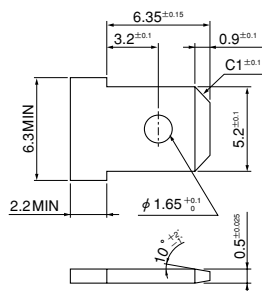


(for 0.8mm thick tabs)

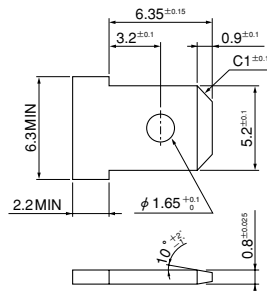


#205

(for 0.5mm thick tabs)

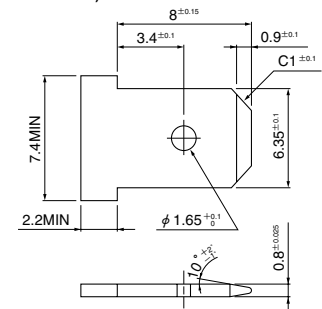


(for 0.8mm thick tabs)



#250

(for 0.8mm thick tabs)



Note: 1. Contact JST when using PS connector for Micro-switch.

2. Make sure there are no unneeded ribs or other protuberances on tab surfaces.

3. Use the brass product for material.

4. Contact JST when using PS-187-4B.