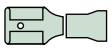
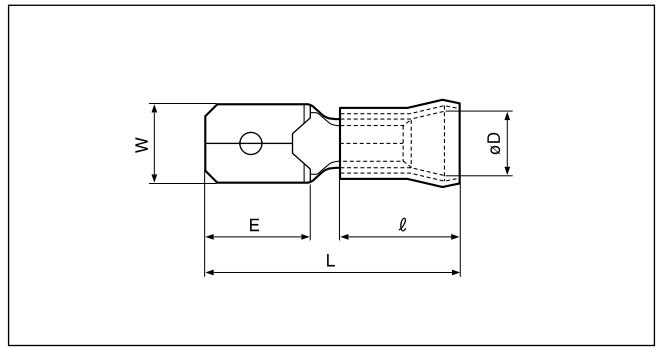
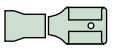


Solderless terminals



QUICK DISCONNECT Male, Vinyl-insulated with copper sleeve

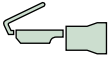


Certificate No.: E70188 LR20812

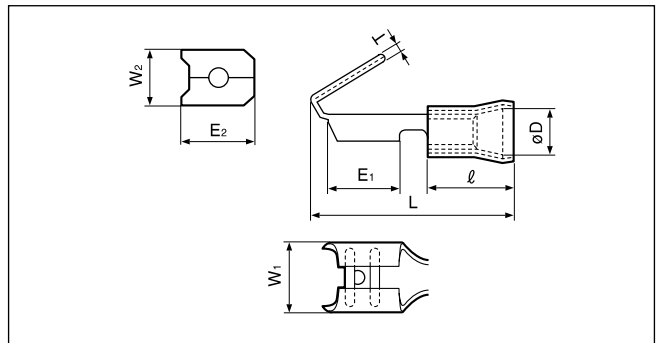
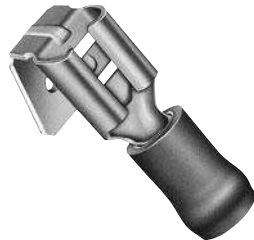
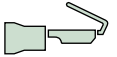
| Applicable Wire AWG#(mm ²) | Part No. | Standard | Dimensions mm (in.) | | | | | | | Material Thickness | Mating Tab Thickness | Color | Tool No. | | | | | Qty/box | |
|---|-------------------------|---------------|---------------------|---|------------|-------------|------------|------------|-------------|-----------------------|-------------------------|--------|-----------|------|------|------|----------|---------|-------|
| | | | W | L | E | ø D | l | YNT-2216 | YNT-1614 | | | | YNT-1210S | YA-1 | YA-2 | YA-4 | BCT-0514 | | |
| 260 | 22 to 16 (0.25 to 1.65) | FVDDM1.25-250 | | | 6.3 (.248) | 20.5 (.807) | 8.0 (.315) | 3.5 (.138) | 9.5 (.374) | 0.4 (.016) | 0.8 (.031) | Red | 0 | 0 | 0 | 0 | 0 | 0 | 1,000 |
| | 16 to 14 (1.04 to 2.63) | FVDDM2 -250 | | | 6.3 (.248) | 20.5 (.807) | 8.0 (.315) | 4.3 (.169) | 9.5 (.374) | 0.4 (.016) | 0.8 (.031) | Blue | 0 | 0 | 0 | 0 | 0 | 0 | 1,000 |
| | 12 to 10 (2.63 to 6.64) | FVDDM5.5 -250 | | | 6.3 (.248) | 24.5 (.965) | 8.5 (.335) | 6.2 (.244) | 13.5 (.531) | 0.4 (.016) | 0.8 (.031) | Yellow | 0 | 0 | 0 | 0 | 0 | 0 | 500 |

Note:1) Delivery lead times may vary depending on the product. Contact JST for details.

Solderless terminals



PIGGYBACK Vinyl-insulated with copper sleeve



Certificate No.: E70188 LR20812

| Applicable Wire AWG#(mm ²) | Part No. | Standard | Dimensions mm (in.) | | | | | | | | | | Color | Tool No. | | | | | Qty/box | |
|---|-------------------------|-----------------|---------------------|----------------|------------|----------------|----------------|------------|------------|-----------------------|------------|------------|------------|----------|------|------|------|----------|---------|-----|
| | | | W | | L | E | | ø D | l | Material Thickness | T | YNT-2216 | | YNT-1614 | YA-1 | YA-2 | YA-4 | BCT-0514 | | |
| | | | W ₁ | W ₂ | | E ₁ | E ₂ | | | | | | | | | | | | | |
| 250 | 22 to 16 (0.25 to 1.65) | FVDDFM1.25-250A | | | 7.4 (.291) | 6.3 (.248) | 20.5 (.807) | 7.8 (.307) | 8.0 (.315) | 3.5 (.138) | 9.5 (.374) | 0.4 (.016) | 0.8 (.031) | Red | 0 | 0 | 0 | 0 | 0 | 500 |
| | 16 to 14 (1.04 to 2.63) | FVDDFM2 -250A | | | 7.6 (.299) | 6.3 (.248) | 22.0 (.866) | 7.8 (.307) | 8.0 (.315) | 4.3 (.170) | 9.5 (.374) | 0.4 (.016) | 0.8 (.031) | Blue | 0 | 0 | 0 | 0 | 0 | 500 |
| | | FVDDFM2 -250B | | | 7.4 (.291) | 6.3 (.248) | 22.2 (.874) | 7.8 (.307) | 8.0 (.315) | 4.3 (.170) | 9.5 (.374) | 0.4 (.016) | 0.8 (.031) | | | | | | | |

Note:1) Terminals FVDDFM2-250A have no slits in the receptacle part.
2) Delivery lead times may vary depending on the product. Contact JST for details.