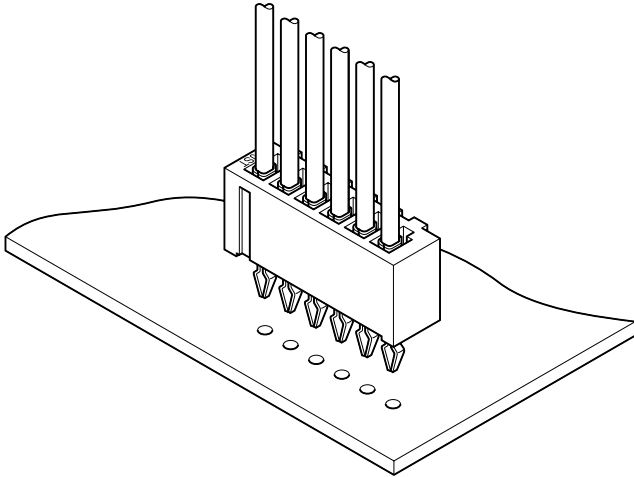


SCN CONNECTOR

2.5mm pitch/Board-in Crimp style connectors



This 2.5mm pitch multi-circuit board-in connector meets the needs for high-density mounting on printed circuit boards efficiently and economically. The connector can be used for VCRs, car stereo systems, audio products, and many other consumer-oriented electronic products.

- Housing lances
- Secure mounting on printed circuit boards
- Two types of contacts

Specifications

- Current rating: 3A AC, DC (AWG #22)
- Voltage rating: 250V AC, DC
- Temperature range: -25°C to +85°C
(including temperature rise in applying electrical current)
- Insulation resistance: 1,000M Ω min.
- Withstanding voltage: 800V AC/minute
- Applicable wire: AWG #28 to #22
- Applicable PC board thickness: 1.2mm, 1.6mm

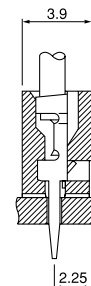
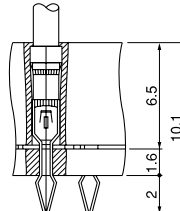
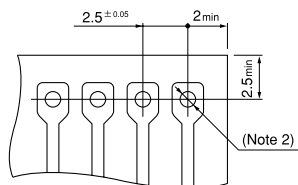
* In using the products, refer to "Handling Precaution for Terminal and Connector" described on our website (Technical documents of Product information page).

* Contact JST for details.

* RoHS2 compliance.

Standards

Recognized E60389



Note: 1. The above figure is the figure viewed from soldering side.

2. Applicable PC board thickness: Type A 1.6mm
Type B 1.6mm and 1.2mm.

3. Tolerances are non-cumulative: ± 0.05 mm

Type A: 1.0 ± 0.05 mm dia.

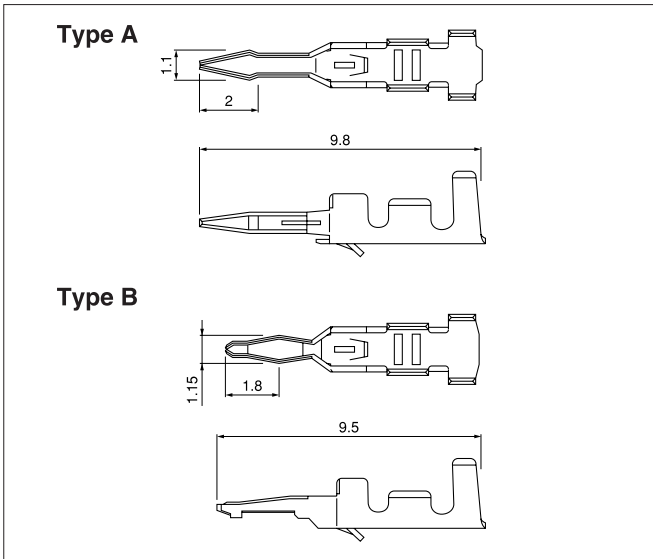
Type B: 2 to 6 circuits/ 1.0 ± 0.05 mm dia.

7 circuits and more/Hole dimensions differ from the above values. Contact JST for details.

4. Hole dimensions differ according to the kind of PC board and piercing method. The dimensions above should serve as a guideline. Contact JST for details.

SCN CONNECTOR

Contact



| Model No. | Type | Applicable wire | | Insulation O.D. (mm) | Material | Q'ty / reel |
|---------------|------|-----------------|-------|----------------------|-----------------|-------------|
| | | mm ² | AWG # | | | |
| SCN-001T-P1.0 | A | 0.08~0.33 | 28~22 | 0.9~1.7 | Phosphor bronze | 11,000 |
| SCN-001T-1.0K | B | | | | Brass | |

Material and Finish

Tin-plated (reflow treatment)

RoHS2 compliance

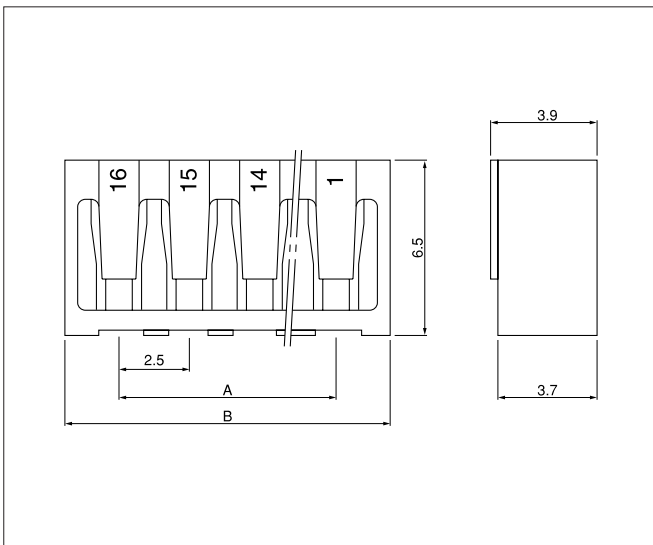
Note: 1. Contact JST if you require shielded wires, thin wires or other special wires.

2. Contact JST for brass products.

| Contact | Crimping machine | Applicator | | |
|---------------|------------------|------------------|---------------|----------------------------|
| | | Crimp applicator | Dies | Crimp applicator with dies |
| SCN-001T-P1.0 | AP-K2N | MKS-L | MK/SCN-001-10 | APLMK SCN001-10 |
| SCN-001T-1.0K | | *MKS-SC | SC/SCN-001-10 | APLSC SCN001-10 |

Note: *Strip-crimp applicator

Housing



| Circuits | Model No. | Dimensions (mm) | | Q'ty / bag |
|----------|----------------|-----------------|------|------------|
| | | A | B | |
| 2 | 2P-SCN | 2.5 | 6.5 | 1,000 |
| 3 | 3P-SCN | 5.0 | 9.0 | 1,000 |
| 4 | 4P-SCN | 7.5 | 11.5 | 1,000 |
| 5 | 5P-SCN | 10.0 | 14.0 | 1,000 |
| 6 | 6P-SCN | 12.5 | 16.5 | 1,000 |
| 7 | 7P-SCN | 15.0 | 19.0 | 1,000 |
| 8 | 8P-SCN | 17.5 | 21.5 | 1,000 |
| 9 | 9P-SCN | 20.0 | 24.0 | 1,000 |
| 10 | 10P-SCN | 22.5 | 26.5 | 1,000 |
| 11 | 11P-SCN | 25.0 | 29.0 | 1,000 |
| 12 | 12P-SCN | 27.5 | 31.5 | 1,000 |
| 13 | 13P-SCN | 30.0 | 34.0 | 1,000 |
| 14 | 14P-SCN | 32.5 | 36.5 | 1,000 |
| 15 | 15P-SCN | 35.0 | 39.0 | 1,000 |
| 16 | 16P-SCN | 37.5 | 41.5 | 1,000 |

Material and Finish

PA 66, UL94V-0, ivory

RoHS2 compliance

<For reference> As the color identification, the following alphabet shall be put in the underlined part. For availability, delivery and minimum order quantity, contact JST.

ex. **2P-SCN-oo**
 (blank)...ivory
 K...black R...red Y...yellow