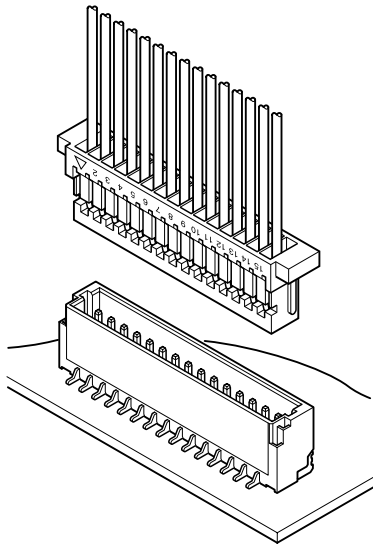




SH CONNECTOR

1.0mm pitch/Disconnectable Crimp style connectors



The world's first 1.0mm pitch crimp style connector.

- Compact, low profile design
- Compatible with the SR insulation displacement connectors
- Housing lances

Specifications

- Current rating: 1.0 A AC, DC (AWG #28)
- Voltage rating: 50 V AC, DC
- Temperature range: -25°C to +85°C
(including temperature rise in applying electrical current)
- Contact resistance: Initial value/ 20 mΩ max.
After environmental tests/ 40 mΩ max.
- Insulation resistance: 100 MΩ min.
- Withstanding voltage: 500 VAC/minute
- Applicable wire: Conductor size/ AWG #32 to #28
Insulation O.D./ 0.4 to 0.8 mm

* In using the products, refer to "Handling Precaution for Terminal and Connector" described on our website (Technical documents of Product information page).

* Contact JST for details.

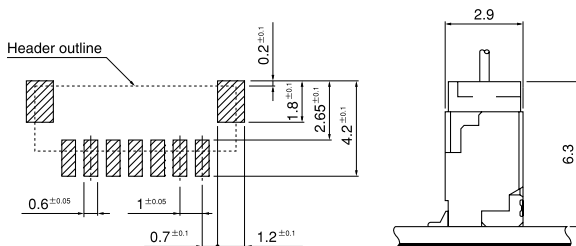
* RoHS2 compliance.

Standards

Recognized E60389

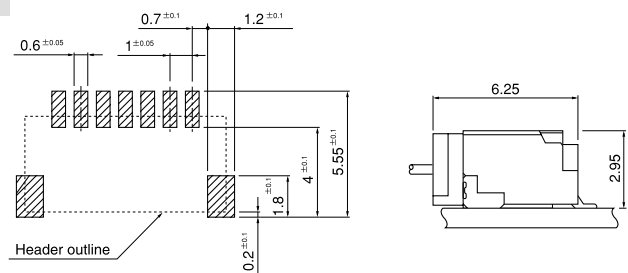
PC board layout and Assembly layout

Top entry type

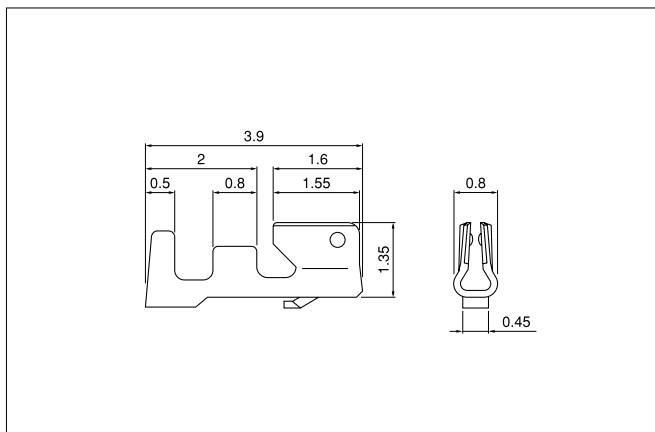


- Note: 1. The above figure is the figure viewed from the connector mounting side.
2. Tolerances are non-cumulative: ±0.05 mm for all centers.
3. The dimensions above should serve as a guideline. Contact JST for details.

Side entry type



Contact



| Model No. | Applicable wire | | | Qty/ reel |
|-----------------|-----------------|-------|----------------------|--------------|
| | mm ² | AWG# | Insulation O.D. (mm) | |
| SSH-003T-P0.2-H | 0.032~0.08 | 32~28 | 0.4~0.8 | 23,000 |

Material and Finish

Phosphor bronze, tin-plated (reflow treatment)

RoHS2 compliance

Note: Contact JST for gold-plated products.

| Contact | Crimping machine | Applicator | | |
|-----------------|------------------|------------------|-----------------|----------------------------|
| | | Crimp applicator | Dies | Crimp applicator with dies |
| SSH-003T-P0.2-H | AP-K2N | MKS-L-10-3 | MK/SSH/L-003-02 | APLMK SSH/L003-02 |
| | | *MKS-SC | SC/SSH/L-003-02 | APLSC SSH/L003-02 |

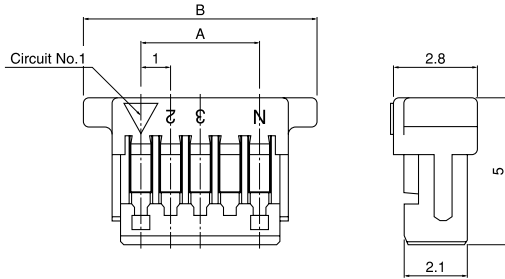
Note: *Strip-crimp applicator

Contact JST for applicable wires in case that it is not usable due to wire size.

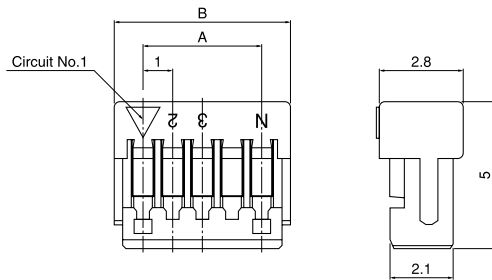
SH CONNECTOR

Housing

With protrusions



Without protrusions



| Circuits | Model No. | | Dimensions (mm) | | | Q'ty/ box |
|----------|------------------|---------------------|-----------------|------|------|--------------|
| | With protrusions | Without protrusions | A | B | | |
| 2 | SHR-02V-S-B | SHR-02V-S | 1.0 | 5.0 | 3.0 | 2,000 |
| 3 | SHR-03V-S-B | SHR-03V-S | 2.0 | 6.0 | 4.0 | 2,000 |
| 4 | SHR-04V-S-B | SHR-04V-S | 3.0 | 7.0 | 5.0 | 2,000 |
| 5 | SHR-05V-S-B | SHR-05V-S | 4.0 | 8.0 | 6.0 | 2,000 |
| 6 | SHR-06V-S-B | SHR-06V-S | 5.0 | 9.0 | 7.0 | 2,000 |
| 7 | SHR-07V-S-B | SHR-07V-S | 6.0 | 10.0 | 8.0 | 2,000 |
| 8 | SHR-08V-S-B | SHR-08V-S | 7.0 | 11.0 | 9.0 | 2,000 |
| 9 | SHR-09V-S-B | SHR-09V-S | 8.0 | 12.0 | 10.0 | 2,000 |
| 10 | SHR-10V-S-B | SHR-10V-S | 9.0 | 13.0 | 11.0 | 2,000 |
| 11 | SHR-11V-S-B | SHR-11V-S | 10.0 | 14.0 | 12.0 | 2,000 |
| 12 | SHR-12V-S-B | SHR-12V-S | 11.0 | 15.0 | 13.0 | 2,000 |
| 13 | SHR-13V-S-B | SHR-13V-S | 12.0 | 16.0 | 14.0 | 2,000 |
| 14 | SHR-14V-S-B | SHR-14V-S | 13.0 | 17.0 | 15.0 | 2,000 |
| 15 | SHR-15V-S-B | SHR-15V-S | 14.0 | 18.0 | 16.0 | 2,000 |
| 20 | SHR-20V-S-B | — | 19.0 | 23.0 | 21.0 | 1,000 |

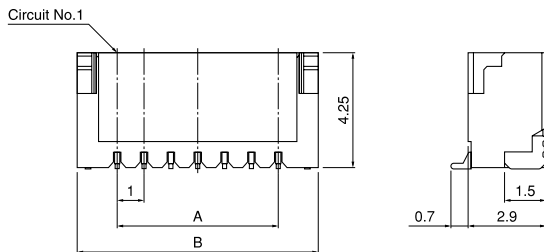
Material and Finish
PBT, UL94V-0, natural (white)

RoHS2 compliance

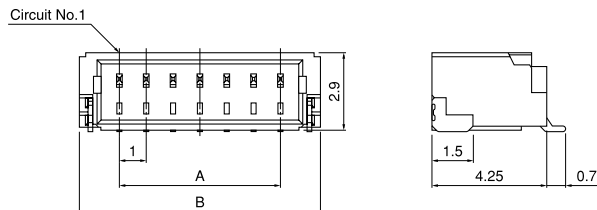
Shrouded header

The shrouded headers are interchangeable with those of the SR insulation displacement connectors.

Top entry type



Side entry type



| Circuits | Model No. | | Dimensions (mm) | | Q'ty/reel | |
|----------|----------------|-----------------|-----------------|------|----------------|-----------------|
| | Top entry type | Side entry type | A | B | Top entry type | Side entry type |
| 2 | BM02B-SRSS-TB | SM02B-SRSS-TB | 1.0 | 4.0 | 1,500 | 3,000 |
| 3 | BM03B-SRSS-TB | SM03B-SRSS-TB | 2.0 | 5.0 | 1,500 | 3,000 |
| 4 | BM04B-SRSS-TB | SM04B-SRSS-TB | 3.0 | 6.0 | 1,500 | 3,000 |
| 5 | BM05B-SRSS-TB | SM05B-SRSS-TB | 4.0 | 7.0 | 1,500 | 3,000 |
| 6 | BM06B-SRSS-TB | SM06B-SRSS-TB | 5.0 | 8.0 | 1,500 | 3,000 |
| 7 | BM07B-SRSS-TB | SM07B-SRSS-TB | 6.0 | 9.0 | 1,500 | 3,000 |
| 8 | BM08B-SRSS-TB | SM08B-SRSS-TB | 7.0 | 10.0 | 1,500 | 3,000 |
| 9 | BM09B-SRSS-TB | SM09B-SRSS-TB | 8.0 | 11.0 | 1,500 | 3,000 |
| 10 | BM10B-SRSS-TB | SM10B-SRSS-TB | 9.0 | 12.0 | 1,500 | 3,000 |
| 11 | BM11B-SRSS-TB | SM11B-SRSS-TB | 10.0 | 13.0 | 1,500 | 3,000 |
| 12 | BM12B-SRSS-TB | SM12B-SRSS-TB | 11.0 | 14.0 | 1,500 | 3,000 |
| 13 | BM13B-SRSS-TB | SM13B-SRSS-TB | 12.0 | 15.0 | 1,500 | 3,000 |
| 14 | BM14B-SRSS-TB | SM14B-SRSS-TB | 13.0 | 16.0 | 1,500 | 3,000 |
| 15 | BM15B-SRSS-TB | SM15B-SRSS-TB | 14.0 | 17.0 | 1,500 | 3,000 |
| 20 | — | SM20B-SRSS-TB | 19.0 | 22.0 | — | 3,000 |

Material and Finish

Contact: Copper alloy, copper-undercoated, tin-plated (reflow treatment)
Housing: PA, UL94V-0, natural (ivory)
Solder tab: Brass, copper-undercoated, tin-plated (reflow treatment)

RoHS2 compliance This product displays (LF)(SN) on a label.
Note: 1. The products listed above are supplied on embossed-tape.
2. Contact JST for the headers with gold-plated pins.
3. Contact JST for the top entry type headers with suction cap.