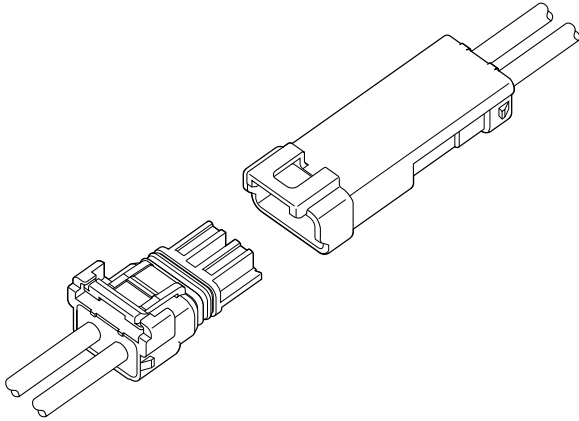




WPJ CONNECTOR

5.0mm pitch/Disconnectable Crimp style Wire-to-wire connectors



Compact, Water Resist and Durable.
This connector for electrical connection can be used on both waterproof and non-waterproof conditions, depending on the usage.

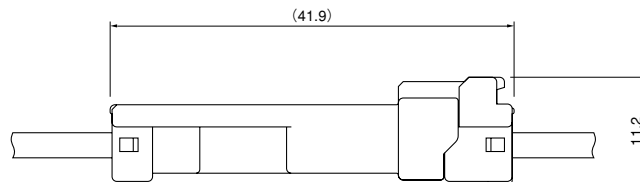
- **Waterproof performance [Grade 7 ingress protection of JIS C 0920 (IPX7 of IEC 60529)]**
- **Control key system**
- **Contacting part of contact is hardly deformed**
- **Inner-locking system**
- **Compact design**

Specifications

- Current rating: 7 A AC, DC (AWG #18)
 - Voltage rating: 300 V AC, DC
 - Temperature range: -25°C to +85°C
(including temperature rise in applying electrical current)
 - Contact resistance: Initial value/ 10 mΩ max.
After environmental tests/ 20 mΩ max.
 - Insulation resistance: 1,000 MΩ min.
 - Withstanding voltage: 1,500 VAC/minute
 - Applicable wire: Conductor size/ AWG #22 to #18
Insulation O.D./ 2.32 to 2.83 mm
1.52 to 2.03 mm
 - Waterproof grade: Grade 7 ingress protection of JIS C 0920
(IPX7 of IEC 60529)
- * Compliant with RoHS.
* Refer to "General Instruction and Notice when using Terminals and Connectors" at the end of this catalog.
* Contact JST for details.

Standards

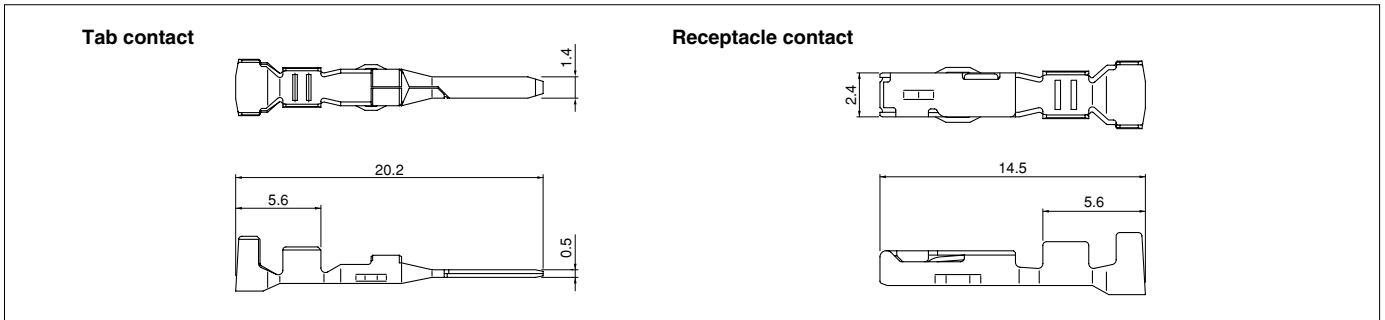
- Recognized E60389
- Certified LR20812
- File No.R50073100



WPJ CONNECTOR

(Non-waterproof type)

Contact



| Model No. | | Applicable wire | | Insulation O.D. (mm) | Q'ty / reel | |
|------------------------|------------------------|-----------------|-------|----------------------|-------------|--------------------|
| Tab contact | Receptacle contact | mm ² | AWG # | | Tab contact | Receptacle contact |
| SWPJT-21T-P0.5 | SWPJR-21T-M0.5 | 0.33~0.83 | 22~18 | 2.32~2.83 | 6,000 | 4,500 |
| SWPJT-21T-P0.5A | SWPJR-21T-M0.5A | | | 1.52~2.03 | 9,000 | 4,500 |

Material and Finish

Copper alloy, tin-plated (reflow treatment)

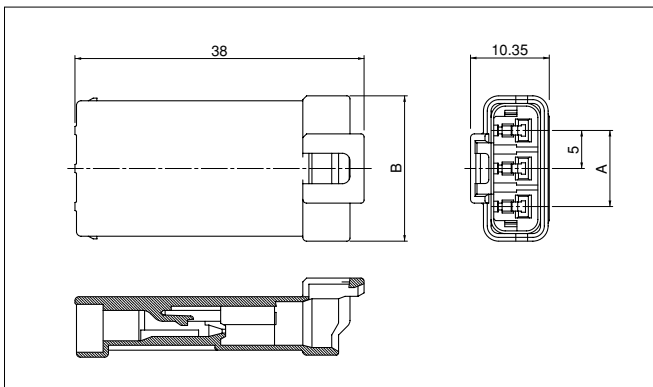
RoHS compliance

Non-waterproof type

| Contact | Crimping machine | Applicator | | |
|-----------------------|------------------|------------------|------------------|----------------------------|
| | | Crimp applicator | Dies | Crimp applicator with dies |
| SWPJT-21T-P0.5 | AP-K2N | MKS-L | MK/SWPJR/T-21-05 | APLMK SWPJR/T21-05 |
| | | — | — | — |
| SWPJR-21T-M0.5 | AP-K2N | MKS-L | MK/SWPJR/T-21-05 | APLMK SWPJR/T21-05 |
| | | — | — | — |

| Contact | Crimping machine | Applicator | | |
|------------------------|------------------|------------------|-------------------|----------------------------|
| | | Crimp applicator | Dies | Crimp applicator with dies |
| SWPJT-21T-P0.5A | AP-K2N | MKS-L | MK/SWPJR/T-21-05A | APLMK SWPJR/T21-05A |
| | | — | — | — |
| SWPJR-21T-M0.5A | AP-K2N | MKS-L | MK/SWPJR/T-21-05A | APLMK SWPJR/T21-05A |
| | | — | — | — |

Tab housing (for tab contact)



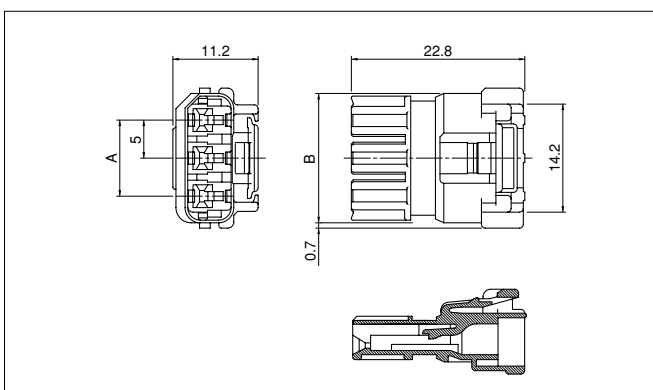
| Circuits | Model No. | Dimensions (mm) | | Q'ty / bag |
|----------|---------------------|-----------------|------|------------|
| | | A | B | |
| 2 | WPJT-02V-1-S | — | 14.2 | 500 |
| 3 | WPJT-03V-1-S | 10 | 19.2 | 500 |

Material

Glass-filled PBT, UL94V-0, natural (white)

RoHS compliance

Receptacle housing (for receptacle contact)



| Circuits | Model No. | Dimensions (mm) | | Q'ty / bag |
|----------|---------------------|-----------------|------|------------|
| | | A | B | |
| 2 | WPJR-02V-1-S | — | 12.1 | 1,000 |
| 3 | WPJR-03V-1-S | 10 | 17.1 | 1,000 |

Material

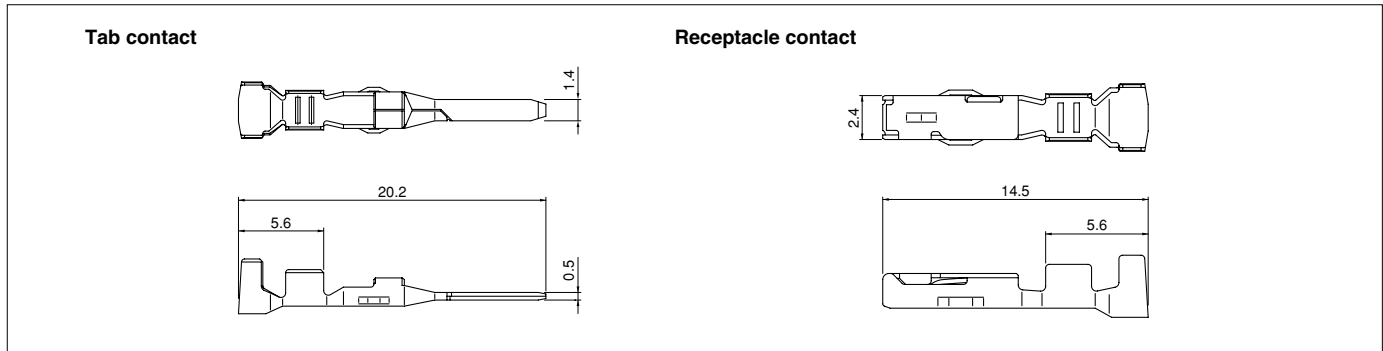
Glass-filled PBT, UL94V-0, natural (white)

RoHS compliance

WPJ CONNECTOR

(Waterproof type)

Contact



| Model No. | | Applicable wire | | Insulation O.D. (mm) | Q'ty / reel | |
|-----------------------|-----------------------|-----------------|-------|----------------------|-------------|--------------------|
| Tab contact | Receptacle contact | mm ² | AWG # | | Tab contact | Receptacle contact |
| SWPJT-21T-P0.5 | SWPJR-21T-M0.5 | 0.33~0.83 | 22~18 | 2.32~2.83 | 6,000 | 4,500 |

Material and Finish

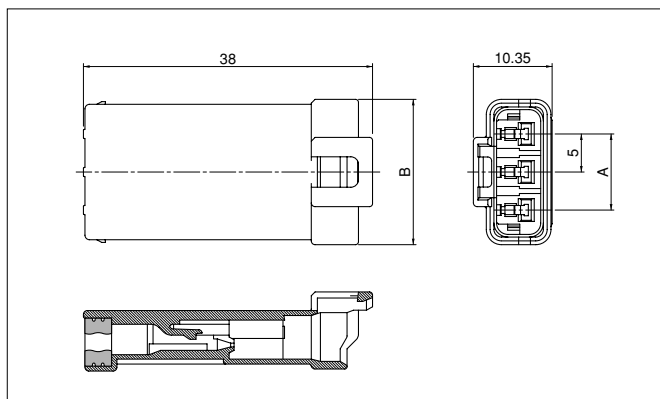
Copper alloy, tin-plated (reflow treatment)

RoHS compliance

Waterproof type

| Contact | Crimping machine | Applicator | | |
|-----------------------|------------------|------------------|------------------|----------------------------|
| | | Crimp applicator | Dies | Crimp applicator with dies |
| SWPJT-21T-P0.5 | AP-K2N | MKS-L | MK/SWPJR/T-21-05 | APLMK SWPJR/T21-05 |
| | | — | — | — |
| SWPJR-21T-M0.5 | AP-K2N | MKS-L | MK/SWPJR/T-21-05 | APLMK SWPJR/T21-05 |
| | | — | — | — |

Tab housing assembly (for tab contact)



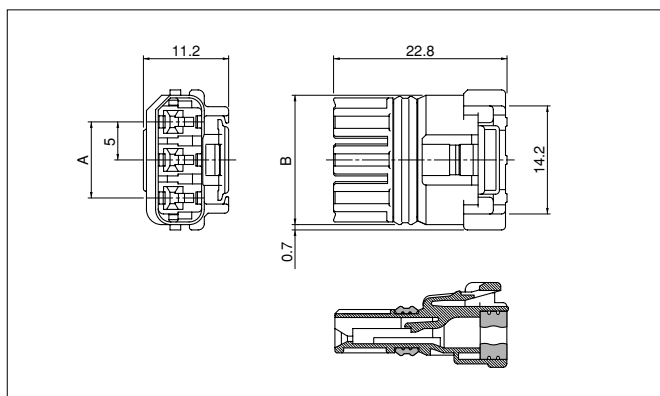
| Circuits | Model No. | Dimensions (mm) | | Q'ty / bag |
|----------|----------------------|-----------------|------|------------|
| | | A | B | |
| 2 | 02T-WPJV-1-SM | — | 14.2 | 675 |
| 3 | 03T-WPJV-1-SM | 10 | 19.2 | 495 |

Material

Tab housing: Glass-filled PBT, UL94V-0, natural (white)
Seal rubber plate: Silicon, green

RoHS compliance

Receptacle housing assembly (for receptacle contact)



| Circuits | Model No. | Dimensions (mm) | | Q'ty / bag |
|----------|-----------------------|-----------------|------|------------|
| | | A | B | |
| 2 | 02R-WPJV-1-SMM | — | 12.1 | 720 |
| 3 | 03R-WPJV-1-SMM | 10 | 17.1 | 576 |

Material

Receptacle housing: Glass-filled PBT, UL94V-0, natural (white)
Seal ring: Silicon, green
Seal rubber plate: Silicon, green

RoHS compliance