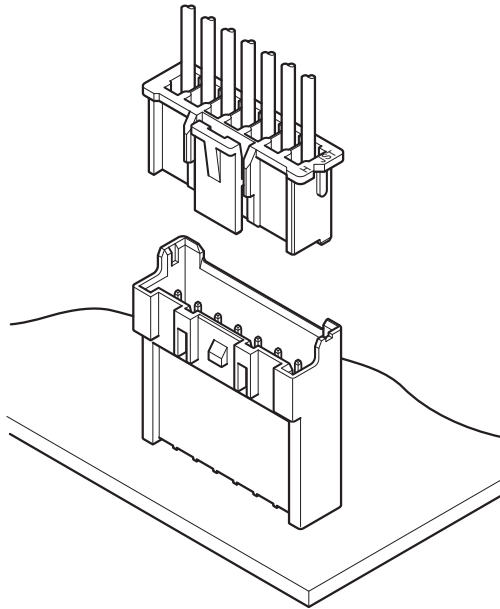




# XA CONNECTOR <High box type>

2.5 mm pitch/Wire-to-Board connectors/Crimp style and Mating style



XA connector high box type with a mounting height of 19.5 mm and a thickness of 6.9 mm.

- Suitable for potting process
- Interchangeability

## Specifications

- Current rating: 3 A AC/DC (AWG #22)
  - Voltage rating: 250 V AC/DC
  - Temperature range: -25°C to +85°C  
(including temperature rise in applying electrical current)
  - Contact resistance:
    - Initial value/ 10 mΩ max.
    - After environmental tests/ 20 mΩ max.
  - Insulation resistance: 1,000 MΩ min.
  - Withstanding voltage:
    - There shall be no breakdown or flashover while applying 1,000 VAC for one minute.
  - Applicable wire range:
    - Conductor size/ AWG #28 to AWG #22
    - Insulation O.D. /  $\phi$  0.8 mm to  $\phi$  1.9 mm
  - Applicable PC board thickness: 1.6 mm
- \* Please refer to the "Handling Precautions for Terminals and Connectors" on our website (listed in the "Technical Documents" column on the Product Information page) before use.
- \* RoHS2 compliance
- \* Dimensional unit: mm
- \* Contact JST for details.

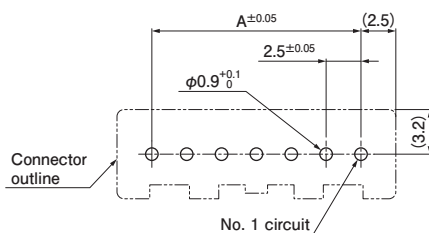
## Standards

For information on overseas standard registrations, please refer to the "List of Registered Overseas Standards" on our website (listed in the "Technical Documents" column on the Product Information page).

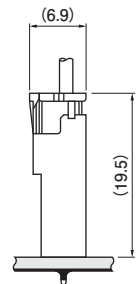
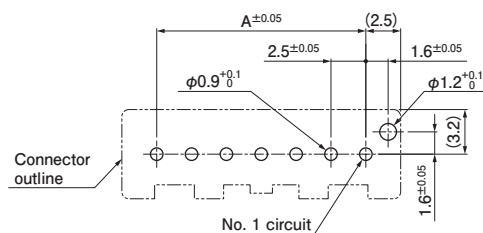
\* Specifications registered to overseas standards may differ from the general specifications listed above.

## PC board layout and Assembly layout

### Without boss



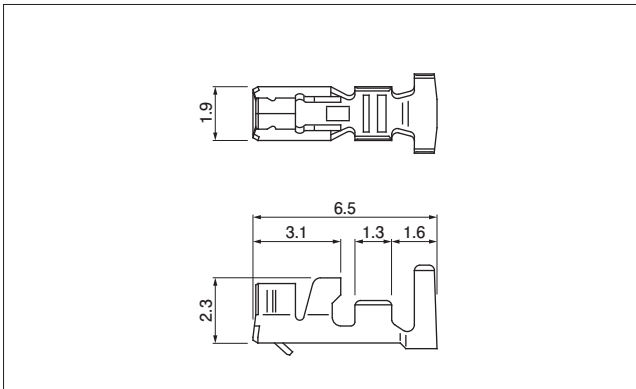
### With boss



- Note: 1. PC board layout is the figure viewed from the connector mounting side.  
 2. Dimension A: See "Header" on page 3 and "Header/ radial-tape" on page 4.  
 3. Tolerance for the PCB hole pitch shall be  $\pm 0.05$ , and shall not accumulate more than  $\pm 0.05$ .  
 4. Hole dimensions differ according to the type of PC board and piercing method.  
 The above dimensions are reference values. Please contact JST for details.

# XA CONNECTOR (High box type)

## Contact



Model No.	Applicable wire range		Q'ty/ reel
	Conductor size AWG (mm <sup>2</sup> )	Insulation O.D. (mm)	
SXA-001T-P0.6	#28 to #22 (0.08 to 0.33)	0.8 to 1.9	8,000

Material and Surface finish, etc.

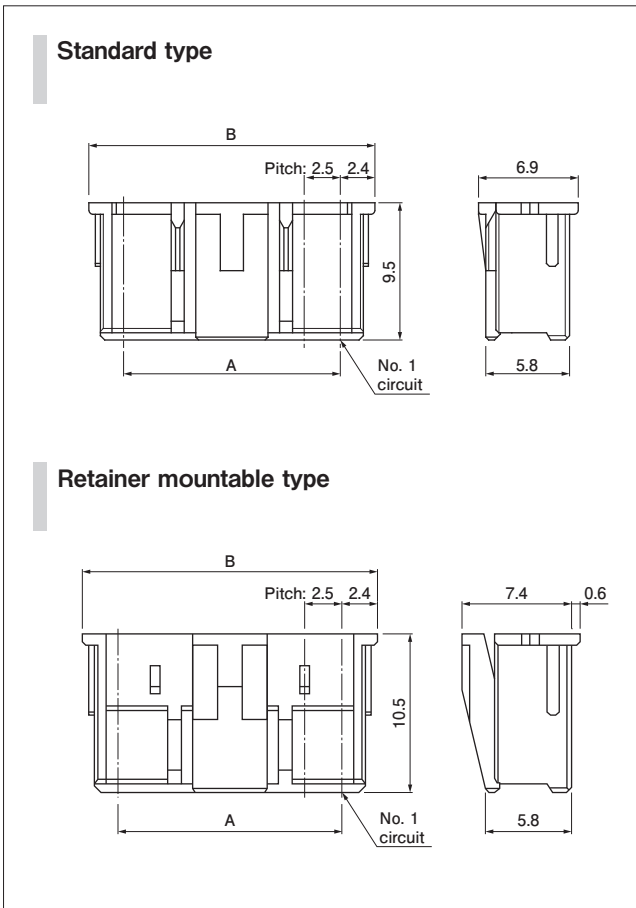
Phosphor bronze, tin-plated

## Crimping machine

Contact	Crimping machine	Applicator	Crimp applicator with dies
SXA-001T-P0.6	AP-K2N	MKS-L	APLMK SXA/M001-06

Note: Contact JST for fully automatic crimping applicator.

## Housing



No. of circuits	Model No.		Dimensions (mm)		Q'ty/bag	
	Standard type	Retainer mountable type	A	B	Standard type	Retainer mountable type
2	XAP-02V-1	XARP-02V	2.5	7.3	1,000	1,000
3	XAP-03V-1	XARP-03V	5.0	9.8	1,000	1,000
4	XAP-04V-1	XARP-04V	7.5	12.3	1,000	1,000
5	XAP-05V-1	XARP-05V	10.0	14.8	1,000	1,000
6	XAP-06V-1	XARP-06V	12.5	17.3	1,000	1,000
7	XAP-07V-1	XARP-07V	15.0	19.8	1,000	1,000
8	XAP-08V-1	XARP-08V	17.5	22.3	1,000	1,000
9	XAP-09V-1	XARP-09V	20.0	24.8	1,000	1,000
10	XAP-10V-1	XARP-10V	22.5	27.3	1,000	1,000
11	XAP-11V-1	XARP-11V	25.0	29.8	1,000	1,000
12	XAP-12V-1	XARP-12V	27.5	32.3	1,000	1,000
13	XAP-13V-1	XARP-13V	30.0	34.8	1,000	1,000
14	XAP-14V-1	XARP-14V	32.5	37.3	500	1,000
15	XAP-15V-1	XARP-15V	35.0	39.8	500	1,000

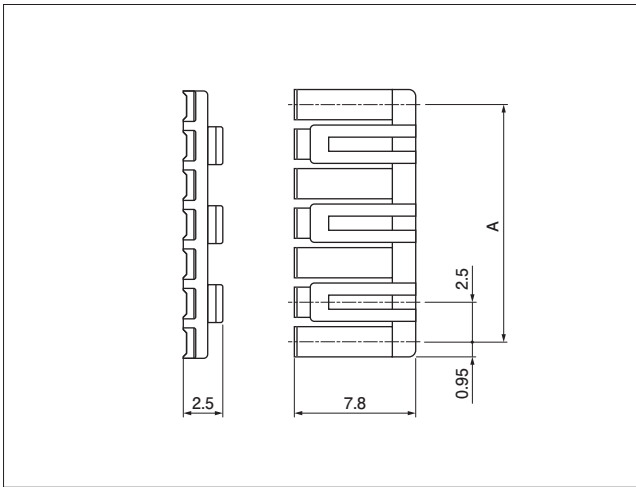
Material and Surface finish, etc.

PA 66, natural (white)

Note: For flame retardant grade of resin material used, please refer to the "List of Registered Overseas Standards" on our website (listed in the "Technical Documents" column on the Product Information page).

# XA CONNECTOR (High box type)

## Retainer



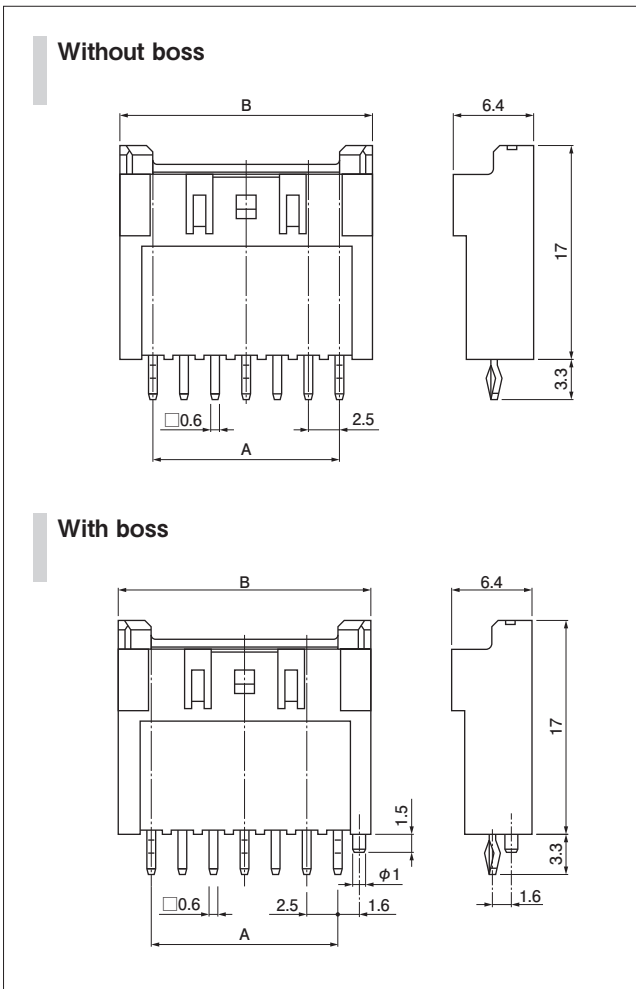
No. of circuits	Model No.	A	Q'ty/bag
2	XMS-02V	2.5	1,000
3	XMS-03V	5.0	1,000
4	XMS-04V	7.5	1,000
5	XMS-05V	10.0	1,000
6	XMS-06V	12.5	1,000
7	XMS-07V	15.0	1,000
8	XMS-08V	17.5	1,000
9	XMS-09V	20.0	1,000
10	XMS-10V	22.5	1,000
11	XMS-11V	25.0	1,000
12	XMS-12V	27.5	1,000
13	XMS-13V	30.0	1,000
14	XMS-14V	32.5	1,000
15	XMS-15V	35.0	1,000

Material and Surface finish, etc.

PA 66 (Glass-filled), natural (ivory)

Note: For flame retardant grade of resin material used, please refer to the "List of Registered Overseas Standards" on our website (listed in the "Technical Documents" column on the Product Information page).

## Header



No. of circuits	Model No.		Dimensions (mm)		Q'ty/box
	Without boss	With boss	A	B	
2	BH02B-XASK-BN	BH02B-XASK	2.5	7.5	400
3	BH03B-XASK-BN	BH03B-XASK	5.0	10.0	400
4	BH04B-XASK-BN	BH04B-XASK	7.5	12.5	300
5	BH05B-XASK-BN	BH05B-XASK	10.0	15.0	300
6	BH06B-XASK-BN	BH06B-XASK	12.5	17.5	200
7	BH07B-XASK-BN	BH07B-XASK	15.0	20.0	200
8	BH08B-XASK-BN	BH08B-XASK	17.5	22.5	200
9	BH09B-XASK-BN	BH09B-XASK	20.0	25.0	150
10	BH10B-XASK-BN	BH10B-XASK	22.5	27.5	150
11	BH11B-XASK-BN	BH11B-XASK	25.0	30.0	100
12	BH12B-XASK-BN	BH12B-XASK	27.5	32.5	100
13	BH13B-XASK-BN	BH13B-XASK	30.0	35.0	100
14	BH14B-XASK-BN	BH14B-XASK	32.5	37.5	100
15	BH15B-XASK-BN	BH15B-XASK	35.0	40.0	100

Material and Surface finish, etc.

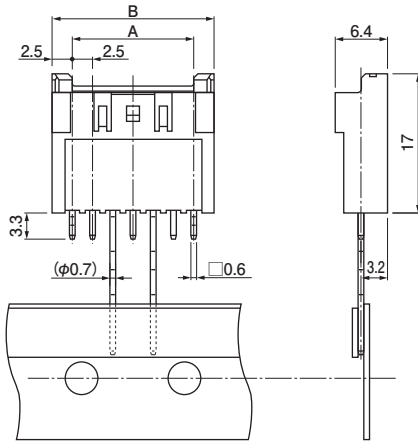
Post: Copper alloy, copper-undercoated, tin-plated  
Wafer: PA 66 (Glass-filled), natural (ivory)

Note: 1. This product displays (LF) (SN) on a label.  
2. For flame retardant grade of resin material used, please refer to the "List of Registered Overseas Standards" on our website (listed in the "Technical Documents" column on the Product Information page).

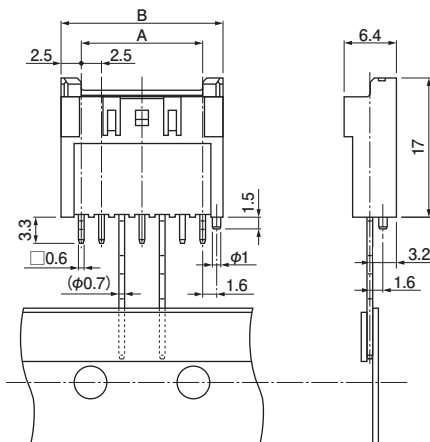
# XA CONNECTOR (High box type)

## Header/ radial-tape

### Without boss



### With boss



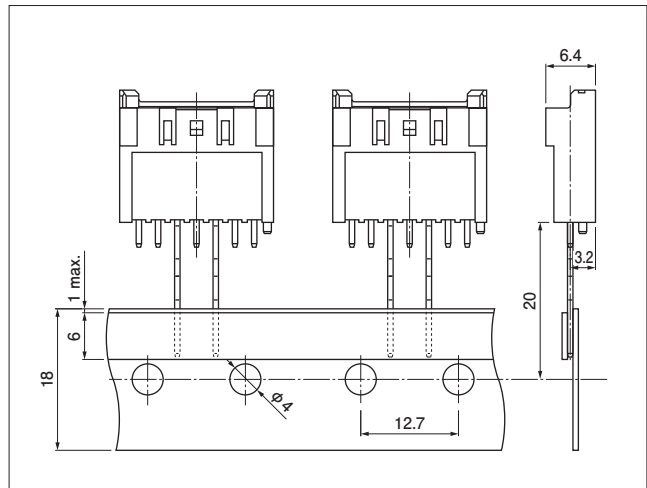
No. of circuits	Model No.		Dimensions (mm)		Q'ty/box
	Without boss	With boss	A	B	
2	BH02B-XASS-BN-T	BH02B-XASS-T	2.5	7.5	1,000
3	BH03B-XASS-BN-T	BH03B-XASS-T	5.0	10.0	1,000
4	BH04B-XASS-BN-T	BH04B-XASS-T	7.5	12.5	500
5	BH05B-XASS-BN-T	BH05B-XASS-T	10.0	15.0	500
6	BH06B-XASS-BN-T	BH06B-XASS-T	12.5	17.5	500
7	BH07B-XASS-BN-T	BH07B-XASS-T	15.0	20.0	500
8	BH08B-XASS-BN-T	BH08B-XASS-T	17.5	22.5	500

Material and Surface finish, etc.

Post: Copper alloy, copper-undercoated, tin-plated  
Wafer: PA 66 (Glass-filled), natural (ivory)

- Note: 1. This product displays (LF)(SN) on a label.  
2. For flame retardant grade of resin material used, please refer to the "List of Registered Overseas Standards" on our website (listed in the "Technical Documents" column on the Product Information page).

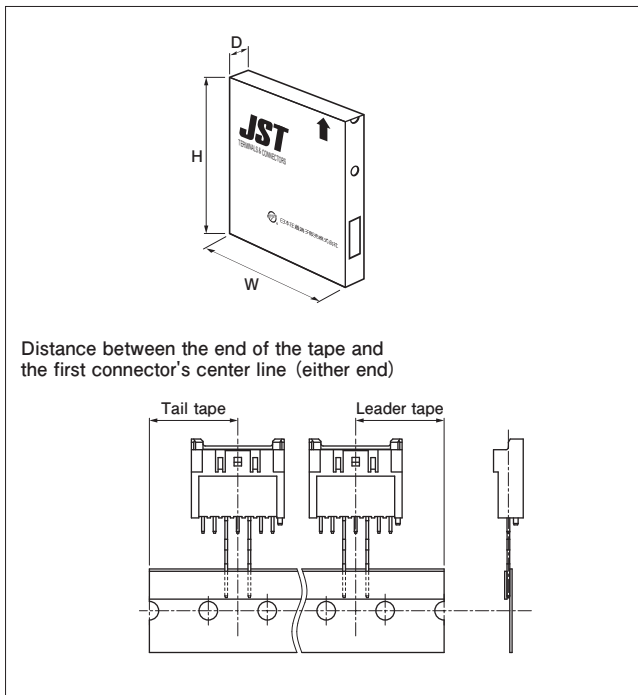
## Taping dimensions



Note: Conforms to IEC 60286-2 (JIC C 0806-2) "Tape packaging of components with unidirectional leads on continuous tapes".

# XA CONNECTOR (High box type)

## Packaging specifications



Package type	Flat pack (zigzag folded)	
Distance between folds	24 index holes per fold (304.8 mm)	
Box size	314 (W) × 54 (D) × 314 (H) mm	
Distance between the end of the tape and the first connector's center line (either end)	19.05 mm	
Quantity	2, 3 circuits	1,000 pcs./box
	4 to 8 circuits	500 pcs./box

Note: Products of different packaging specifications are also available. Contact JST for details.

## Model number allocation

### Contact

**S XA - 001 T - P 0.6**

Supply form: S...Strip form  
B...Loose piece

Series name

Applicable wire range:  
AWG #28 to AWG #22

Surface finish: Tin-plated

Material: Phosphor bronze

Applicable post size

### Housing/ Standard type

**XA P - 02 V - 1 - ■**

Series name

Type: Plug

No. of circuits

Auxiliary symbol

Auxiliary symbol

Color: Blank...Natural (White), K...Black, R...Red,  
E...Blue, M...Green, Y...Yellow

### Housing/ Retainer mountable type

**XA RP - 02 V - ■**

Series name

Type: Plug (Retainer mountable type)

No. of circuits

Auxiliary symbol

Color: Blank...Natural (White), K...Black, R...Red, E...Blue

### Retainer

**XM S - 02 V**

Series name

Type: Retainer

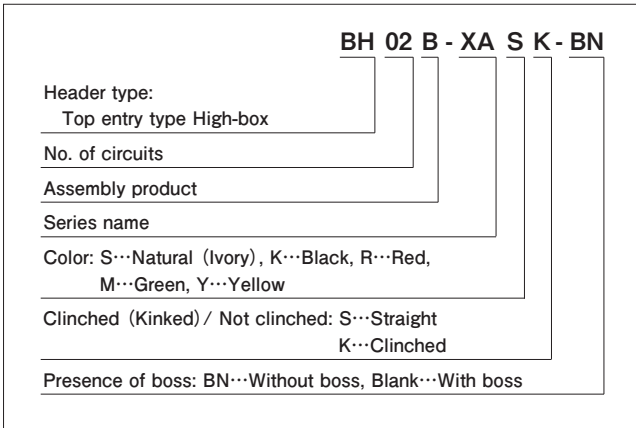
No. of circuits

Auxiliary symbol

# XA CONNECTOR (High box type)

## Model number allocation

### Header



### Taping

